

# Levelling sets

with locknut



**Material:**

Steel 1.7225.

Stainless steel 1.4305.

**Version:**

Standard version trivalent blue passivated.

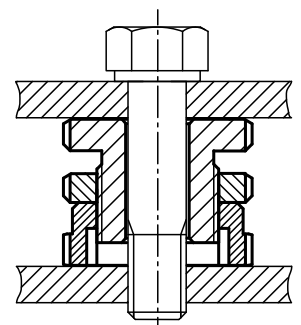
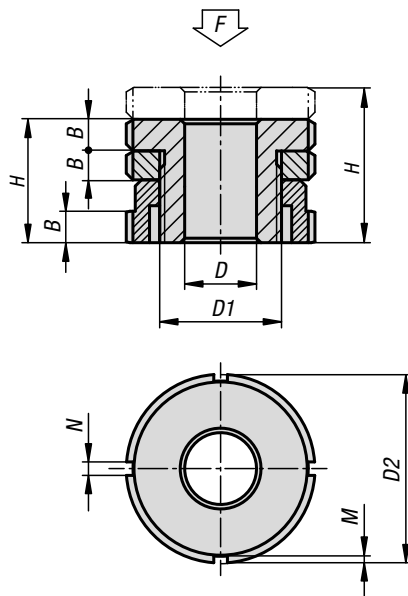
Stainless steel version bright.

**Sample order:**

K0097.0404

**Note:**

These low version levelling sets with locknut are used to mount and align motors, aggregates, drive units and production lines. The advantage is the low height. Alignments can be made quickly and easily even with several levelling points. Distortion-free mounting is guaranteed. The locknut secures a prescribed adjustment.



# Levelling sets

with locknut



## KIPP Levelling sets with locknut

Order No.	Main material	D	for screw	D1	D2	H min.	H max.	B	N	M	F kN
K0097.0404	high carbon steel	4,5	M4	M15x1	25	20	24	5	4	2	40
K0097.0405	high carbon steel	5,5	M5	M15x1	25	20	24	5	4	2	40
K0097.0406	high carbon steel	6,6	M6	M15x1	25	20	24	5	4	2	40
K0097.0506	high carbon steel	6,6	M6	M20x1	32	24	29	6	4	2	65
K0097.0508	high carbon steel	9	M8	M20x1	32	24	29	6	4	2	65
K0097.0510	high carbon steel	11	M10	M20x1	32	24	29	6	4	2	65
K0097.0710	high carbon steel	11	M10	M30x1,5	45	29	36	7	5	2	120
K0097.0712	high carbon steel	13,5	M12	M30x1,5	45	29	36	7	5	2	120
K0097.0716	high carbon steel	17,5	M16	M30x1,5	45	29	36	7	5	2	120
K0097.0916	high carbon steel	17,5	M16	M40x1,5	58	37	46	9	6	2,5	210
K0097.0920	high carbon steel	22	M20	M40x1,5	58	37	46	9	6	2,5	210
K0097.0924	high carbon steel	26	M24	M40x1,5	58	37	46	9	6	2,5	210
K0097.1020	high carbon steel	22	M20	M50x1,5	70	44	54	11	6	2,5	330
K0097.1024	high carbon steel	26	M24	M50x1,5	70	44	54	11	6	2,5	330
K0097.1030	high carbon steel	33	M30	M50x1,5	70	44	54	11	6	2,5	330
K0097.04041	stainless steel	4,5	M4	M15x1	25	20	24	5	4	2	27,1
K0097.04051	stainless steel	5,5	M5	M15x1	25	20	24	5	4	2	27,1
K0097.04061	stainless steel	6,6	M6	M15x1	25	20	24	5	4	2	27,1
K0097.05061	stainless steel	6,6	M6	M20x1	32	24	29	6	4	2	43,4
K0097.05081	stainless steel	9	M8	M20x1	32	24	29	6	4	2	43,4
K0097.05101	stainless steel	11	M10	M20x1	32	24	29	6	4	2	43,4
K0097.07101	stainless steel	11	M10	M30x1,5	45	29	36	7	5	2	84
K0097.07121	stainless steel	13,5	M12	M30x1,5	45	29	36	7	5	2	84
K0097.07161	stainless steel	17,5	M16	M30x1,5	45	29	36	7	5	2	84
K0097.09161	stainless steel	17,5	M16	M40x1,5	58	37	46	9	6	2,5	148
K0097.09201	stainless steel	22	M20	M40x1,5	58	37	46	9	6	2,5	148
K0097.09241	stainless steel	26	M24	M40x1,5	58	37	46	9	6	2,5	148
K0097.10201	stainless steel	22	M20	M50x1,5	70	44	54	11	6	2,5	225
K0097.10241	stainless steel	26	M24	M50x1,5	70	44	54	11	6	2,5	225
K0097.10301	stainless steel	33	M30	M50x1,5	70	44	54	11	6	2,5	225