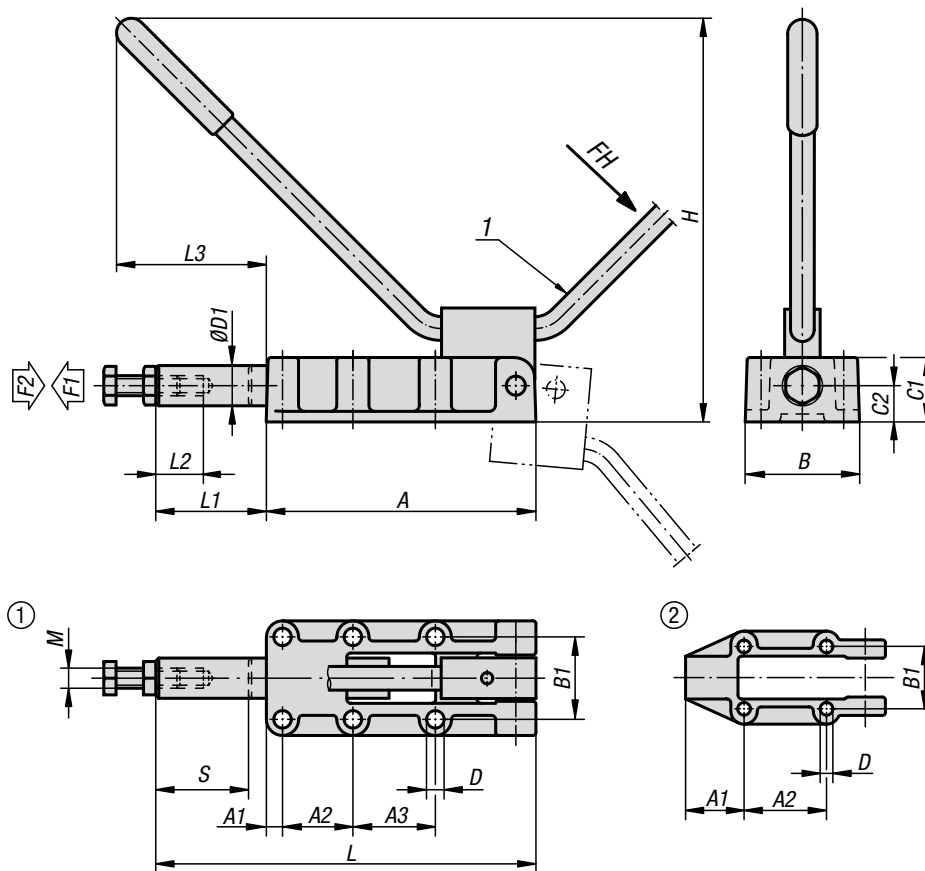


Push-pull clamps

heavy-duty version with reversible hand lever



Material:

Steel.
Body ductile iron (SG iron)

Version:

Phosphated.
Lever trivalent passivated.
Plastic grip oil-resistant.

Sample order:

K0088.060003

Note:

The clamps lock in the open and closed handle positions. They can be used for thrust or tension clamping. These clamps also have travel limitation for advance and retraction.

Accessories:

- K0099
- K0101
- K0102
- K0103
- K0106

Drawing reference:

1) handle can be mounted right or left

KIPP Push-pull clamps heavy-duty version with reversible hand lever

Order No.	Component colour	A	A1	A2	A3	B	B1	C1	C2	D	D1	H	L	L1	L2	L3	M	Travel S	Hand force FH N	Retaining force F2 N	Opening angle of handle
K0088.0600	blue	89	25	36,5	-	46	33,4	23	12	5,5	14	127	127	38	30	65	M8	32	140	6000	185°
K0088.1200	blue	133	8	35	41	61	41	32	18	8,5	20	196	188	55	40	106	M10	50	150	12000	185°
K0088.2500	blue	197	11	45	45	82	54	41	22	10,3	25	270	300	103	60	125	M12	75	170	25000	185°
K0088.5000	blue	254	10	70	70	85	57	50	28	10,3	30	360	390	136	60	155	M16	100	200	50000	185°
K0088.060003	red	89	25	36,5	-	46	33,4	23	12	5,5	14	127	127	38	30	65	M8	32	140	6000	185°
K0088.120003	red	133	8	35	41	61	41	32	18	8,5	20	196	188	55	40	106	M10	50	150	12000	185°
K0088.250003	red	197	11	45	45	82	54	41	22	10,3	25	270	300	103	60	125	M12	75	170	25000	185°
K0088.500003	red	254	10	70	70	85	57	50	28	10,3	30	360	390	136	60	155	M16	100	200	50000	185°

Order No.	Thrust rod extended / Clamping force F1 N
K0088.0600	5mm/1100N, 10mm/700N, 15mm/750N, 20mm/800N, 25mm/850N, 30mm/1460N, 31mm/1900N, 32mm/5800N
K0088.1200	5mm/1670N, 10mm/900N, 15mm/730N, 20mm/700N, 25mm/720N, 30mm/850N, 35mm/1000N, 40mm/1100N, 45mm/1500N, 48mm/2200N, 49mm/2900N, 50mm/9300N
K0088.2500	10mm/1000N, 20mm/720N, 30mm/600N, 40mm/700N, 50mm/880N, 60mm/1180N, 70mm/1900N, 72mm/2300N, 74mm/3530N, 75mm/11000N
K0088.5000	10mm/1800N, 20mm/1100N, 30mm/750N, 40mm/800N, 50mm/820N, 70mm/1000N, 80mm/1300N, 90mm/1900N, 95mm/2500N, 97mm/3100N, 99mm/4500N, 100mm/12100N
K0088.060003	5mm/1100N, 10mm/700N, 15mm/750N, 20mm/800N, 25mm/850N, 30mm/1460N, 31mm/1900N, 32mm/5800N
K0088.120003	5mm/1670N, 10mm/900N, 15mm/730N, 20mm/700N, 25mm/720N, 30mm/850N, 35mm/1000N, 40mm/1100N, 45mm/1500N, 48mm/2200N, 49mm/2900N, 50mm/9300N
K0088.250003	10mm/1000N, 20mm/720N, 30mm/600N, 40mm/700N, 50mm/880N, 60mm/1180N, 70mm/1900N, 72mm/2300N, 74mm/3530N, 75mm/11000N
K0088.500003	10mm/1800N, 20mm/1100N, 30mm/750N, 40mm/800N, 50mm/820N, 70mm/1000N, 80mm/1300N, 90mm/1900N, 95mm/2500N, 97mm/3100N, 99mm/4500N, 100mm/12100N