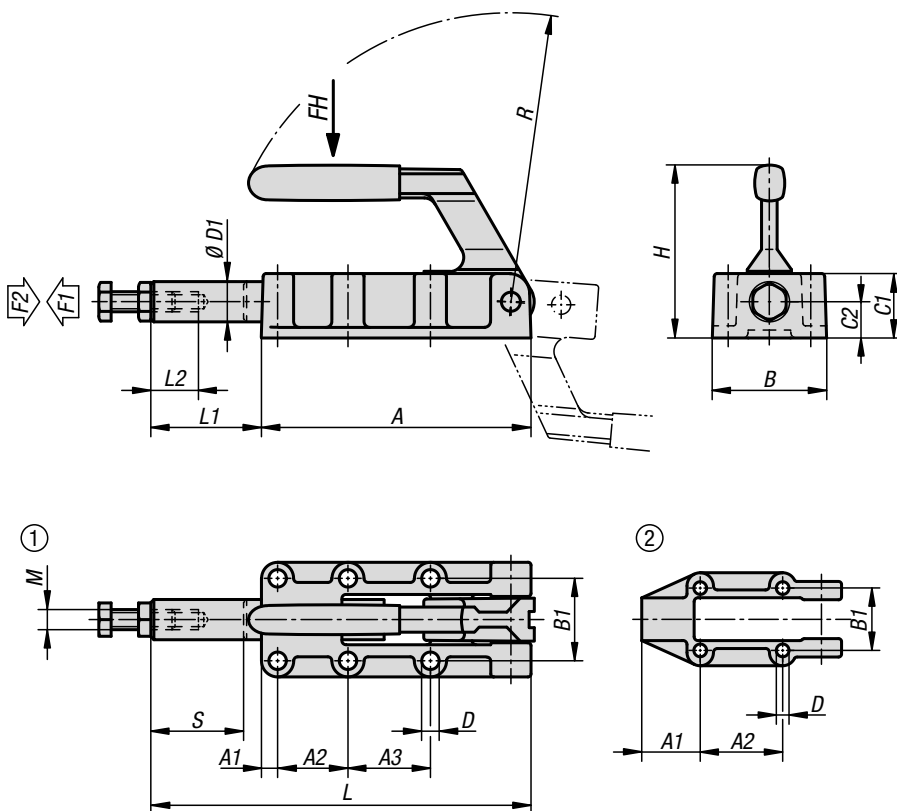


Push-pull clamps

heavy-duty version with handle



Material:
Steel.
Body and handle ductile iron (SG iron)

Version:
Phosphated.
Plastic grip oil-resistant.

Sample order:
K0087.250003

Note:
The clamps lock in the open and closed handle positions. They can be used for thrust or tension clamping. These clamps also have travel limitation for advance and retraction.

Accessories:
K0101
K0102
K0103
K0106

KIPP Push-pull clamps heavy-duty version with handle

| Order No. | hole arrangement | Component colour | Opening angle of handle | Hand force FH N | Retaining force F2 N | Clamping force F1 N |
|--------------|------------------|------------------|-------------------------|-----------------|----------------------|---------------------|
| K0087.0600 | 2 | blue | 185° | 140 | 6000 | 3000 |
| K0087.1200 | 1 | blue | 185° | 150 | 12000 | 5000 |
| K0087.2500 | 1 | blue | 185° | 170 | 25000 | 5000 |
| K0087.5000 | 1 | blue | 185° | 200 | 50000 | 7000 |
| K0087.060003 | 2 | red | 185° | 140 | 6000 | 3000 |
| K0087.120003 | 1 | red | 185° | 150 | 12000 | 5000 |
| K0087.250003 | 1 | red | 185° | 170 | 25000 | 5000 |
| K0087.500003 | 1 | red | 185° | 200 | 50000 | 7000 |

| Order No. | A | A1 | A2 | A3 | B | B1 | C1 | C2 | D | D1 | H | L | L1 | L2 | M | R | Travel S |
|--------------|-----|----|------|----|----|------|----|----|------|----|-----|-----|-----|----|-----|-----|----------|
| K0087.0600 | 89 | 25 | 36,5 | - | 46 | 33,4 | 23 | 12 | 5,5 | 14 | 63 | 127 | 38 | 30 | M8 | 95 | 32 |
| K0087.1200 | 133 | 8 | 35 | 41 | 61 | 41 | 32 | 18 | 8,5 | 20 | 88 | 188 | 55 | 40 | M10 | 143 | 50 |
| K0087.2500 | 197 | 11 | 45 | 45 | 82 | 54 | 41 | 22 | 10,3 | 25 | 108 | 300 | 103 | 60 | M12 | 200 | 75 |
| K0087.5000 | 254 | 10 | 70 | 70 | 85 | 57 | 50 | 28 | 10,3 | 30 | 127 | 390 | 136 | 60 | M16 | 245 | 100 |
| K0087.060003 | 89 | 25 | 36,5 | - | 46 | 33,4 | 23 | 12 | 5,5 | 14 | 63 | 127 | 38 | 30 | M8 | 95 | 32 |
| K0087.120003 | 133 | 8 | 35 | 41 | 61 | 41 | 32 | 18 | 8,5 | 20 | 88 | 188 | 55 | 40 | M10 | 143 | 50 |
| K0087.250003 | 197 | 11 | 45 | 45 | 82 | 54 | 41 | 22 | 10,3 | 25 | 108 | 300 | 103 | 60 | M12 | 200 | 75 |
| K0087.500003 | 254 | 10 | 70 | 70 | 85 | 57 | 50 | 28 | 10,3 | 30 | 127 | 390 | 136 | 60 | M16 | 245 | 100 |