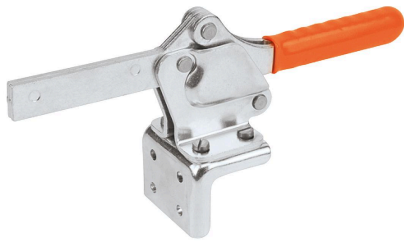


Toggle clamps horizontal with flat foot and full holding arm

Item description/product images



Angle bracket for front face mounting (see accessories)

Description

Material:
Steel.

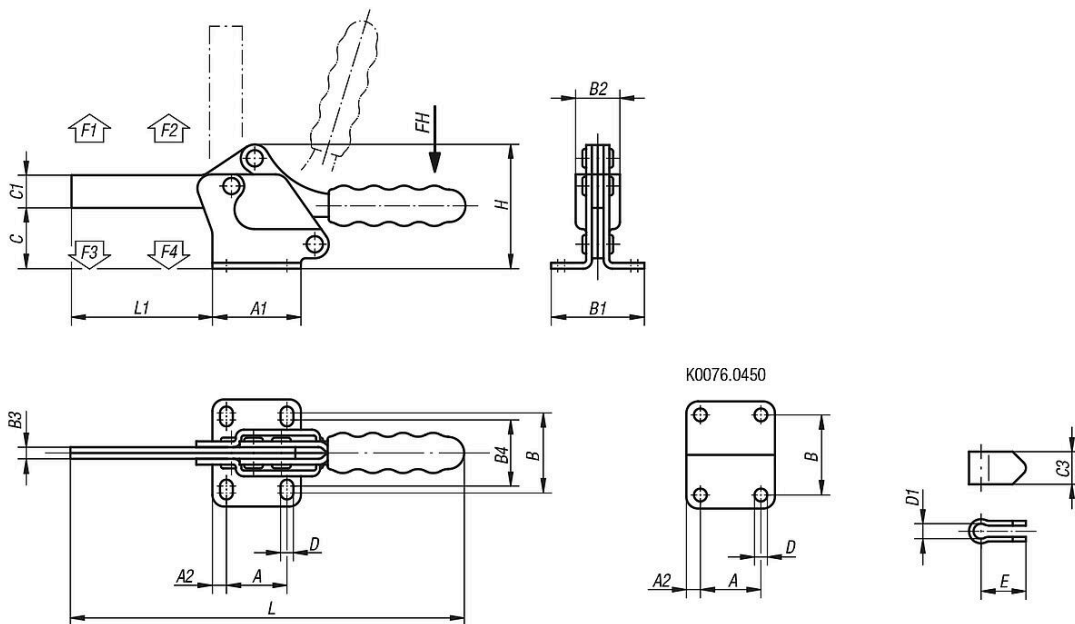
Version:
Trivalent passivated.
Plastic grip oil-resistant.

Note:
spindle bracket weldable.

Accessory:

- K0098
- K0100
- K0101
- K0102
- K0103
- K0106

Drawings



Overview of items

Toggle clamps horizontal with flat foot and full holding arm

Order No.	Opening angle of holding arm	Opening angle of handle	Hand force FH N	Retaining force F1 N	Retaining force F2 N	Clamping force F3 N	Clamping force F4 N	Matching plastic grip
K0076.0250	95°	80°	200	1500	3500	800	1950	K0100.28
K0076.0350	90°	75°	250	2500	5500	1150	3100	K0100.30
K0076.0450	90°	75°	250	3000	6500	1150	3100	K0100.34

Toggle clamps horizontal with flat foot and full holding arm

Overview of items

Order No.	A	A1	A2	B	B1	B2	B3	B4	C	C1	C3	D	D1	E	H	L	L1	M=clamping spindle	Order No. Angle bracket
K0076.0250	26	42	8	32	47	23	6	27	34	17,5	17,5	6,6	8,3	24	67	226	82	M8x60	K0098.04
K0076.0350	41,2	59	9	43,7	60	30	8	39,7	45	24	22	8,7	10,3	30	91	272	110	M10x80	K0098.06
K0076.0450	41,2	67	13	42,8	68	38	10	-	59	27	26	8,7	12,3	32	110	310	130	M12x100	K0098.06