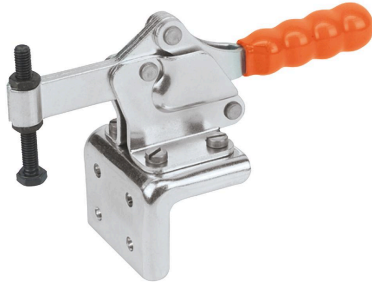
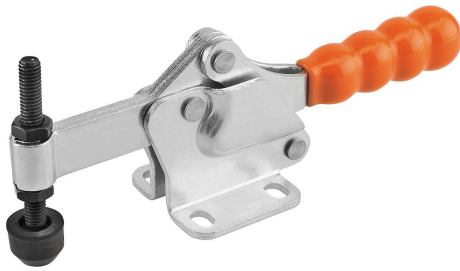


Toggle clamps horizontal with flat foot and fixed clamping spindle

Item description/product images



Angle bracket for front face mounting (see accessories)

Description

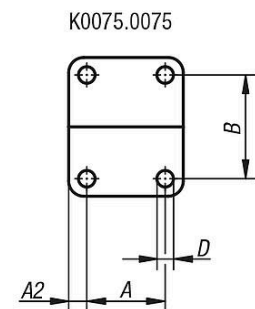
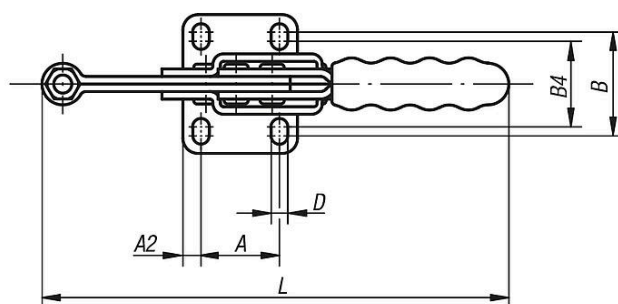
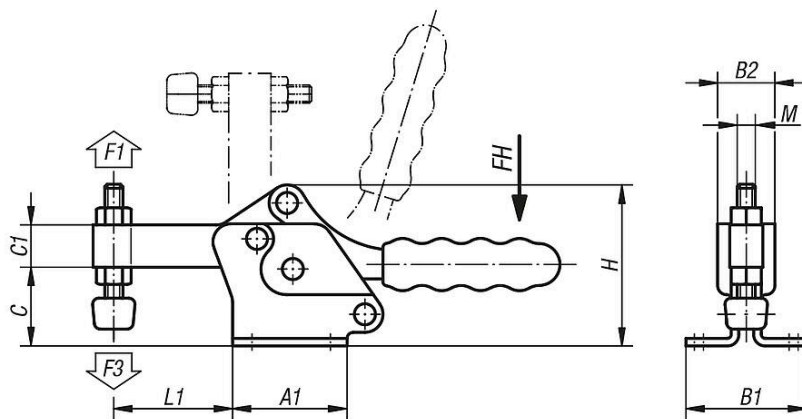
Material:
Steel.

Version:
Trivalent passivated.
Clamping spindle and nuts phosphated.
Plastic grip oil-resistant.

Note:
The clamping spindle is supplied with a neoprene thrust pad.

Accessory:
K0098
K0100
K0101
K0102
K0103
K0106

Drawings



Overview of items

Toggle clamps horizontal with flat foot and fixed clamping spindle

Overview of items

Toggle clamps horizontal with flat foot and fixed clamping spindle

| Order No. | Opening angle of holding arm | Opening angle of handle | Hand force FH N | Retaining force F1 N | Clamping force F3 N | Matching plastic grip |
|-------------------|------------------------------|-------------------------|-----------------|----------------------|---------------------|-----------------------|
| K0075.0075 | 90° | 75° | 80 | 750 | 320 | K0100.16 |
| K0075.0150 | 90° | 80° | 140 | 1500 | 650 | K0100.20 |

| Order No. | A | A1 | A2 | B | B1 | B2 | B4 | C | C1 | D | H | L | L1 | M | Order No. Angle bracket |
|-------------------|------|----|-----|------|----|----|----|----|-----|-----|----|-----|------|-------|-------------------------|
| K0075.0075 | 13,5 | 25 | 5,7 | 16,8 | 27 | 16 | - | 19 | 9,5 | 5,2 | 38 | 108 | 24,5 | M5x35 | K0098.02 |
| K0075.0150 | 26 | 38 | 6 | 28 | 40 | 20 | 22 | 25 | 14 | 5,5 | 53 | 155 | 38 | M6x50 | K0098.04 |