

# Toggle clamps horizontal with flat foot and adjustable clamping spindle

## Item description/product images



Angle bracket for front face mounting (see accessories)

### Description

#### Material:

Steel or stainless steel.

#### Version:

Trivalent passivated.

Clamping spindle and nuts phosphated.

Stainless steel bright.

Plastic grip oil-resistant.

#### Note:

A neoprene thrust pad is supplied with versions K0074.0075 and K0074.0150.

An angle bracket cannot be supplied in stainless steel with versions K0074.0075N and K0074.0150N.

#### Accessory:

K0098

K0100

K0101

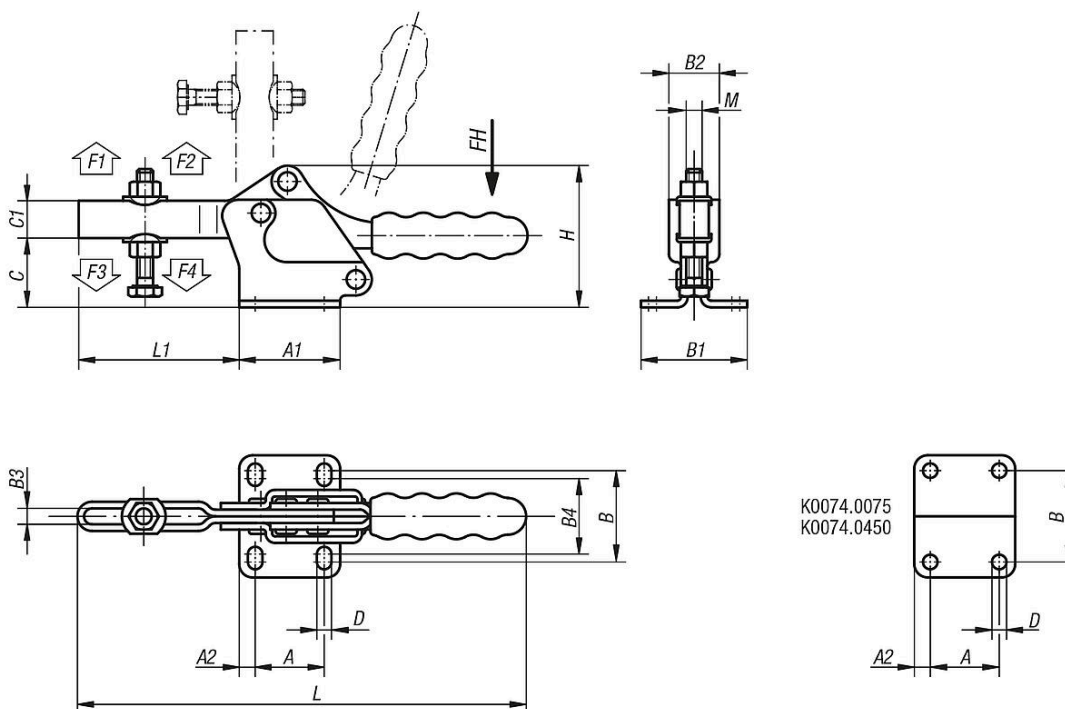
K0102

K0103

K0106

K0107

## Drawings



## Overview of items

### Toggle clamps horizontal with flat foot and adjustable clamping spindle

## Toggle clamps horizontal with flat foot and adjustable clamping spindle

### Overview of items

Order No.	Main material	Opening angle of holding arm	Opening angle of handle	Hand force FH N	Retaining force F1 N	Retaining force F2 N	Clamping force F3 N	Clamping force F4 N	Matching plastic grip
<b>K0074.0075</b>	steel	90°	75°	80	500	1100	250	700	K0100.16
<b>K0074.0150</b>	steel	90°	80°	140	1200	2600	400	1000	K0100.20
<b>K0074.0250</b>	steel	95°	80°	200	1500	3500	800	1950	K0100.28
<b>K0074.0350</b>	steel	90°	75°	250	2500	5500	1150	3100	K0100.30
<b>K0074.0450</b>	steel	90°	75°	250	3000	6500	1150	3100	K0100.34
<b>K0074.0075N</b>	stainless steel	90°	75°	80	500	1100	250	700	K0100.16
<b>K0074.0150N</b>	stainless steel	90°	80°	140	1200	2600	400	1000	K0100.20

Order No.	Main material	A	A1	A2	B	B1	B2	B3	B4	C	C1	D	H	L	L1	M	Order No. Angle bracket
<b>K0074.0075</b>	steel	13,5	25	5,7	17,4	27	16	5,8	-	19	9,5	5,2	38	116	37	M5x35	K0098.02
<b>K0074.0150</b>	steel	26	38	6	28	40	20	6,2	22	24	14	5,5	53	170	60	M6x50	K0098.04
<b>K0074.0250</b>	steel	26	42	8	31	47	23	8,5	26	35	17,5	6,6	68	224	79	M8x60	K0098.04
<b>K0074.0350</b>	steel	41,2	59	9	43	59	30	12	39	45	24	8,7	91	274	108	M10x80	K0098.06
<b>K0074.0450</b>	steel	41,2	67	13	41,3	67	38	14,2	-	59	27	8,7	110	305	128	M12x100	K0098.06
<b>K0074.0075N</b>	stainless steel	13,5	25	5,7	17,4	27	16	5,8	-	19	9,5	5,2	38	116	37	M5x35	-
<b>K0074.0150N</b>	stainless steel	26	38	6	28	40	20	6,2	22	24	14	5,5	53	170	60	M6x50	-