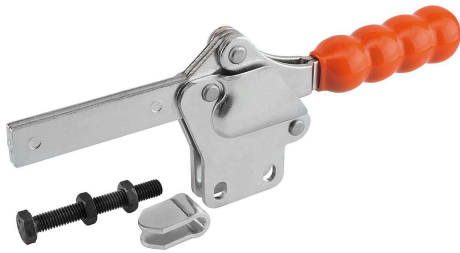


# Toggle clamps horizontal with straight foot and full holding arm

## Item description/product images



### Description

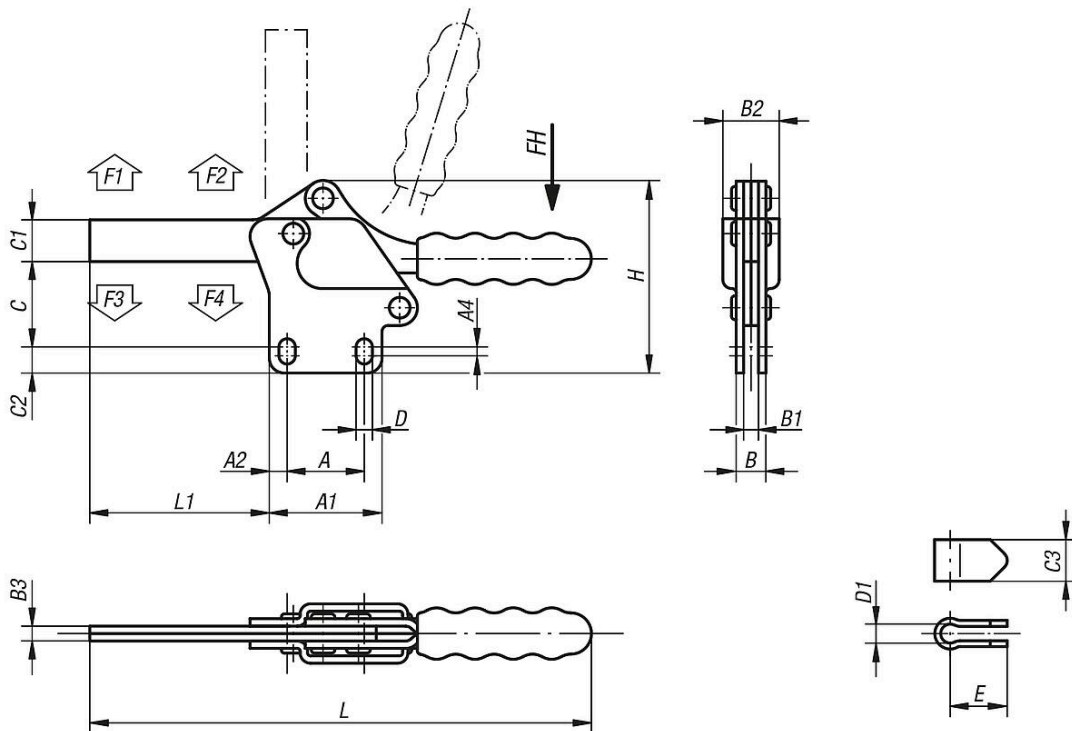
**Material:**  
Steel.

**Version:**  
Trivalent passivated.  
Plastic grip oil-resistant.

**Note:**  
spindle bracket weldable.

**Accessory:**  
K0100  
K0101  
K0102  
K0103  
K0106

## Drawings



## Overview of items

### Toggle clamps horizontal with straight foot and full holding arm

| Order No.  | Opening angle of holding arm | Opening angle of handle | Hand force FH N | Retaining force F1 N | Retaining force F2 N | Clamping force F3 N | Clamping force F4 N | Matching plastic grip |
|------------|------------------------------|-------------------------|-----------------|----------------------|----------------------|---------------------|---------------------|-----------------------|
| K0073.0250 | 95°                          | 80°                     | 200             | 1500                 | 3500                 | 800                 | 1950                | K0100.28              |
| K0073.0350 | 90°                          | 75°                     | 250             | 2500                 | 5500                 | 1150                | 3100                | K0100.30              |

## Toggle clamps horizontal with straight foot and full holding arm

### Overview of items

| Order No.         | A    | A1 | A2 | A4  | B  | B1 | B2 | B3 | C  | C1   | C2 | C3   | D   | D1   | E  | H     | L   | L1  | M=clamping spindle |
|-------------------|------|----|----|-----|----|----|----|----|----|------|----|------|-----|------|----|-------|-----|-----|--------------------|
| <b>K0073.0250</b> | 26   | 42 | 8  | 2,6 | 12 | 6  | 23 | 6  | 39 | 17,5 | 10 | 17,5 | 6,6 | 8,3  | 24 | 82    | 226 | 82  | M8x60              |
| <b>K0073.0350</b> | 41,2 | 59 | 9  | 2   | 16 | 8  | 30 | 8  | 54 | 24   | 10 | 22   | 8,7 | 10,3 | 30 | 109,5 | 274 | 110 | M10x80             |