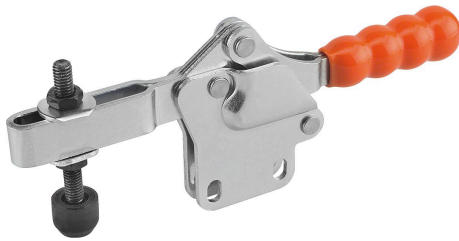


Toggle clamps horizontal with straight foot and adjustable clamping spindle

Item description/product images



Description

Material:
Steel.

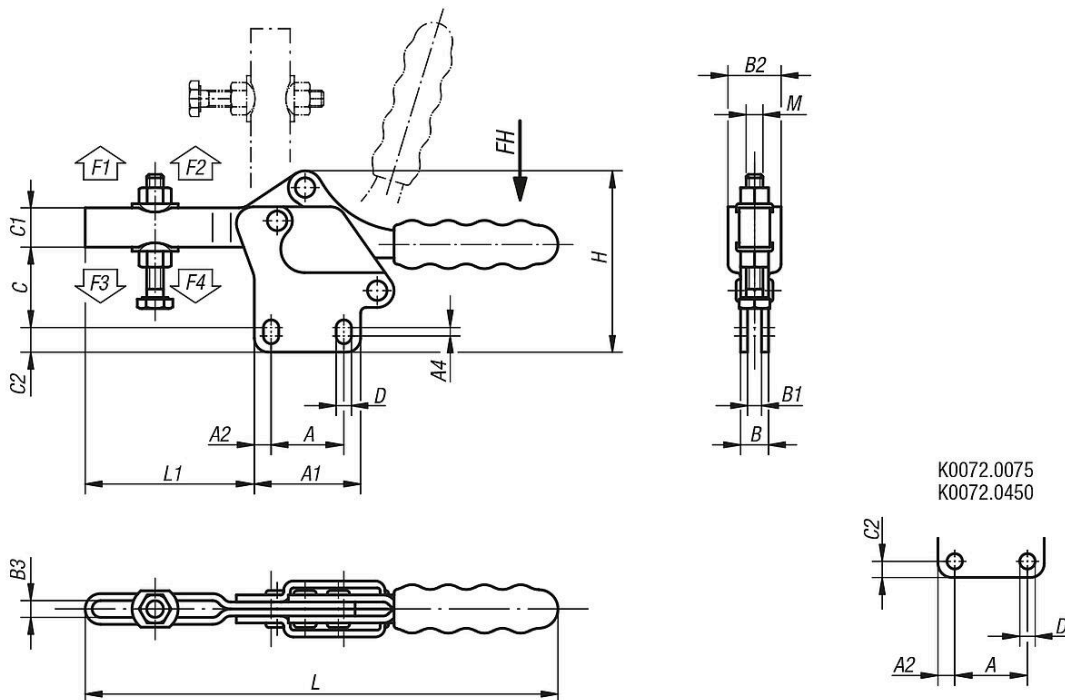
Version:
Trivalent passivated.
Clamping spindle and nuts phosphated.
Plastic grip oil-resistant.

Note:
A neoprene thrust pad is supplied with versions K0072.0075 and K0072.0150.

Accessory:

- K0100
- K0101
- K0102
- K0103
- K0106
- K0107

Drawings



K0072.0075
K0072.0450

Overview of items

Toggle clamps horizontal with straight foot and adjustable clamping spindle

Order No.	Opening angle of holding arm	Opening angle of handle	Hand force FH N	Retaining force F1 N	Retaining force F2 N	Clamping force F3 N	Clamping force F4 N	Matching plastic grip
K0072.0075	90°	75°	80	500	1100	250	700	K0100.16
K0072.0150	90°	80°	140	1200	2600	400	1000	K0100.20
K0072.0250	95°	80°	200	1500	3500	800	1950	K0100.28

Toggle clamps horizontal with straight foot and adjustable clamping spindle

Overview of items

Order No.	Opening angle of holding arm	Opening angle of handle	Hand force FH N	Retaining force F1 N	Retaining force F2 N	Clamping force F3 N	Clamping force F4 N	Matching plastic grip
K0072.0350	90°	75°	250	2500	5500	1150	3100	K0100.30
K0072.0450	90°	75°	250	3000	6500	1150	3100	K0100.34

Order No.	A	A1	A2	A4	B	B1	B2	B3	C	C1	C2	D	H	L	L1	M
K0072.0075	13,5	25	5,7	-	8	4	16	5,8	22	9,5	5	5,2	46	116	37	M5x35
K0072.0150	26	38	6	3	10	5	20	6,2	28	14	9	5,5	66	170	60	M6x50
K0072.0250	26	42	8	2,6	12	6	23	9	39	17,5	10	6,6	82	224	79	M8x60
K0072.0350	41,2	59	9	2	16	8	30	12	54	24	10	8,7	109,5	274	108	M10x80
K0072.0450	41,2	67	13	-	20	10	38	13,2	66	27	13	8,7	130	305	129	M12x100