

# Toggle clamps vertical with angled foot and fixed clamping spindle

## Item description/product images



## Description

**Material:**  
Steel.

**Version:**  
Trivalent passivated.  
Clamping spindle and nuts phosphated.  
Plastic grip oil-resistant.

**Note:**  
The opening angle between the arm and the grip can be reduced or increased by repositioning or removing the stop pin.

A neoprene thrust pad is supplied with version K0063.0100 and K0063.0200

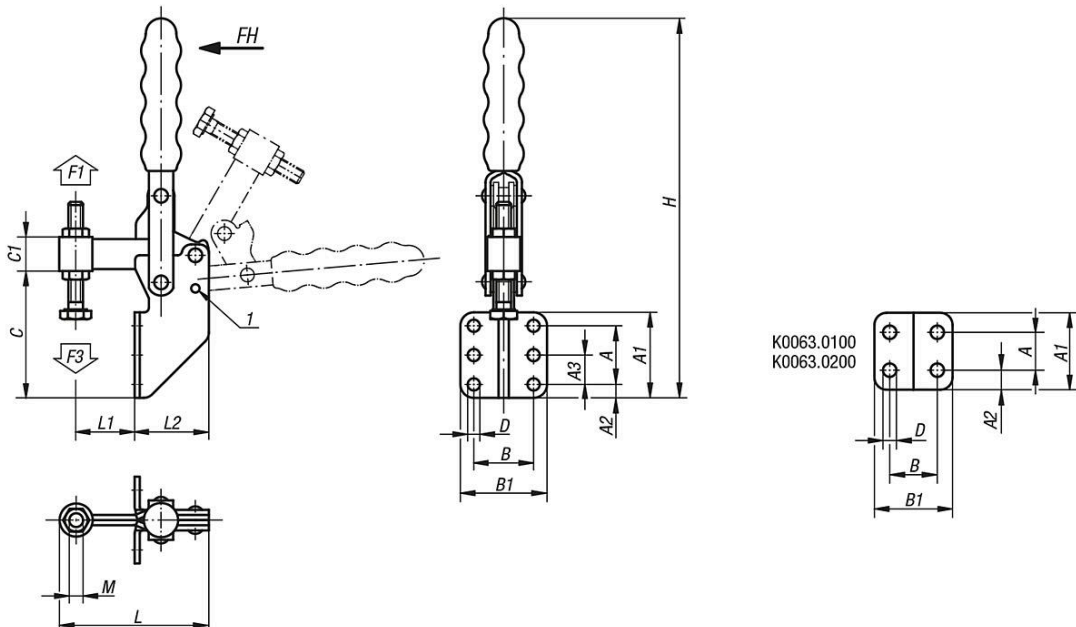
## Accessory:

K0100  
K0101  
K0102  
K0103  
K0106

## Drawing reference:

1) Position 1

## Drawings



## Overview of items

### Toggle clamps vertical with angled foot and fixed clamping spindle

## Toggle clamps vertical with angled foot and fixed clamping spindle

### Overview of items

Order No.	Opening angle holding arm position 1	Opening angle holding arm stop pin removed	Opening angle handle position 1	Opening angle handle stop pin removed	Matching plastic grip
<b>K0063.0100</b>	80°	190°	60°	100°	K0100.16
<b>K0063.0200</b>	105°	175°	70°	95°	K0100.22
<b>K0063.0300</b>	105°	160°	65°	90°	K0100.28

Order No.	A	A1	A2	A3	B	B1	C	C1	D	H	L	L1	L2	M	Hand force FH N	Retaining force F1 N	Clamping force F3 N
<b>K0063.0100</b>	14	29	7	-	17,5	28	44	9,5	4,8	122	66	24,5	36	M5x35	80	850	650
<b>K0063.0200</b>	19	35	8	-	25	41	64	12,7	5,5	170	77	27	44	M6x50	100	1600	1150
<b>K0063.0300</b>	35	51	8	16	35	51	81	21,5	6,8	235	116	58	51	M8x60	130	3000	1150