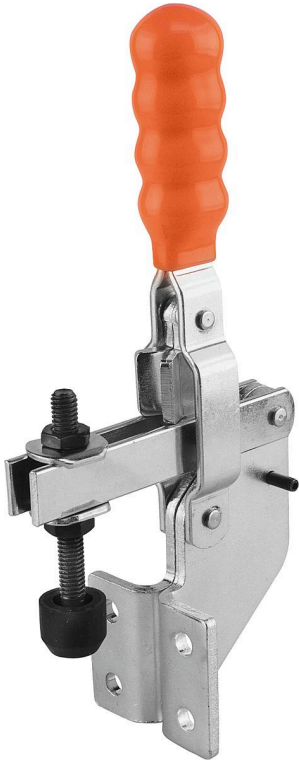


Toggle clamps vertical with angled foot and adjustable clamping spindle

Item description/product images



Description

Material:
Steel.

Version:
Trivalent passivated.
Clamping spindle and nuts phosphated.
Plastic grip oil-resistant.

Note:
The opening angle between the holding arm and the handle can be reduced or increased by repositioning or removing the stop pin.

A neoprene pressure pad is supplied with version K0062.0100.

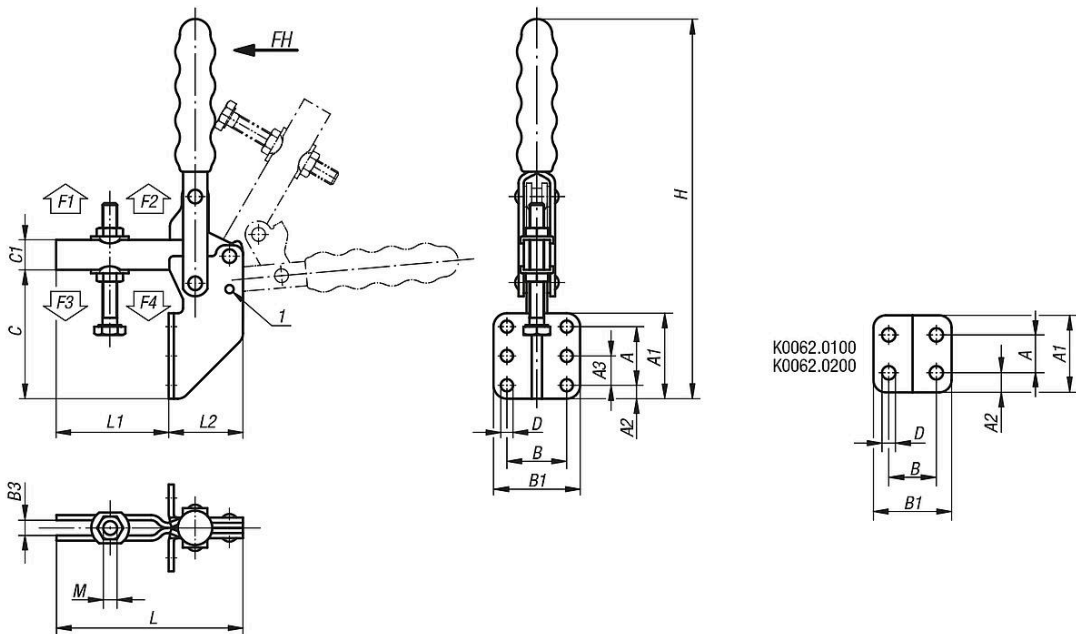
Accessory:

K0100
K0101
K0102
K0103
K0106
K0107

Drawing reference:

1) Position 1

Drawings



Overview of items

Toggle clamps vertical with angled foot and adjustable clamping spindle

Toggle clamps vertical with angled foot and adjustable clamping spindle

Overview of items

Order No.	Opening angle holding arm position 1	Opening angle holding arm stop pin removed	Opening angle handle position 1	Opening angle handle stop pin removed	Matching plastic grip
K0062.0100	80°	190°	60°	100°	K0100.16
K0062.0200	105°	175°	70°	95°	K0100.22
K0062.0300	105°	160°	65°	90°	K0100.28

Order No.	A	A1	A2	A3	B	B1	B3	C	C1	D	H	L	L1	L2	M	Hand force FH N	Retaining force F1 N	Retaining force F2 N	Clamping force F3 N	Clamping force F4 N
K0062.0100	14	29	7,5	-	17,5	28	5,5	44	9,5	4,8	122	67	31	36	M5x35	80	700	1000	500	800
K0062.0200	19	35	8	-	26	42	6,3	64	12,7	5,5	170	79	35	44	M6x50	100	1000	2200	950	1350
K0062.0300	35	51	8	16	35	51	8,8	82	19	6,8	235	143	92	51	M8x60	130	2000	3700	900	1850