

Toggle clamps vertical with flat foot and adjustable clamping spindle

Item description/product images



Angle bracket for
front face mounting
(see accessories)

Description

Material:

Steel or stainless steel.

Version:

Trivalent passivated.

Clamping spindle and nuts phosphated.

Stainless steel bright.

Plastic grip oil-resistant.

Note:

The opening angle between the holding arm and the handle can be reduced or increased by repositioning or removing the stop pin.

A neoprene pressure pad is supplied with versions K0058.0075, K0058.0100 and K0058.0150.

An angle bracket cannot be supplied in stainless steel with versions K0058.0075N, K0058.0150N and K0058.0250N.

Accessory:

K0098

K0100

K0101

K0102

K0103

K0106

K0107

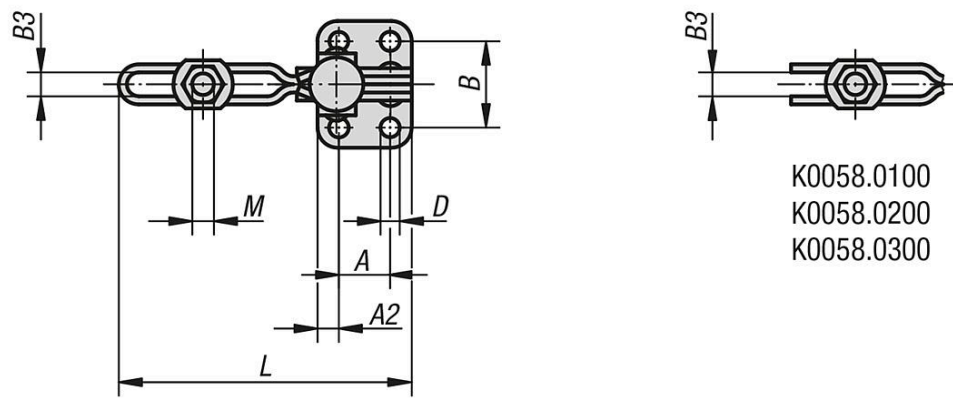
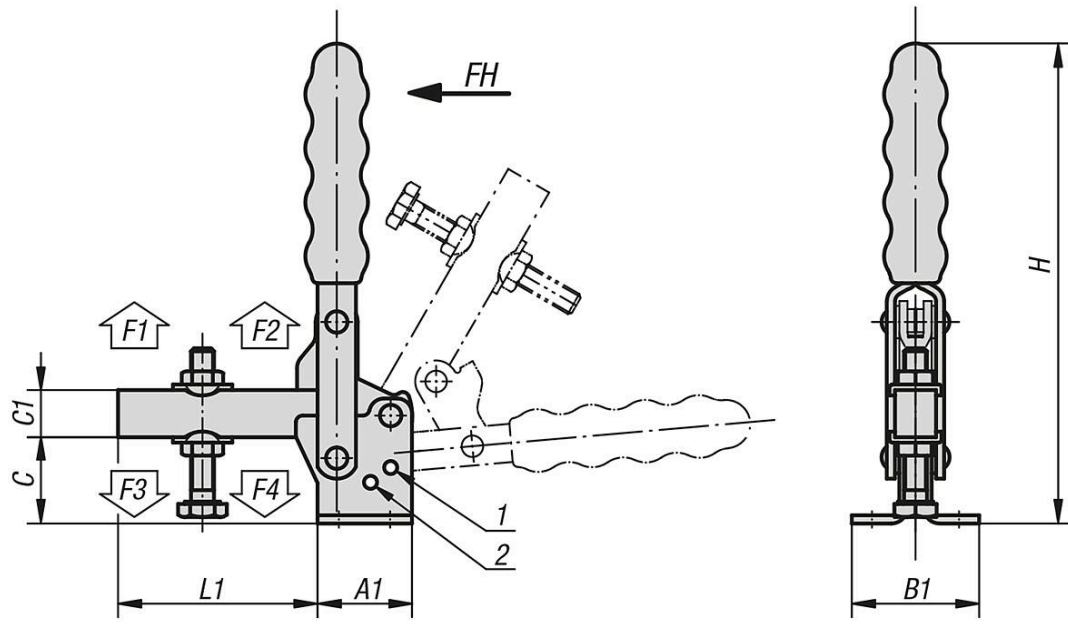
Drawing reference:

1) stop pin position 1

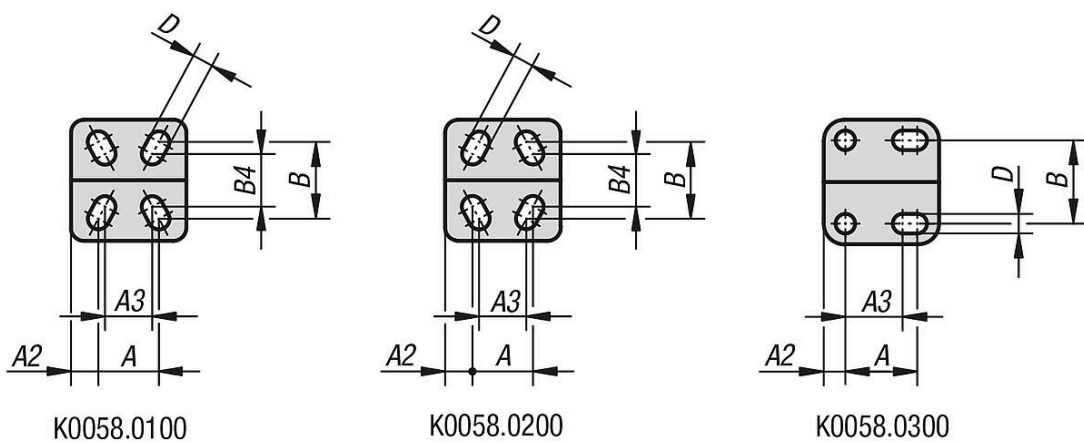
2) stop pin position 2

Toggle clamps vertical with flat foot and adjustable clamping spindle

Drawings



K0058.0100
K0058.0200
K0058.0300



Overview of items

Toggle clamps vertical with flat foot and adjustable clamping spindle

Toggle clamps vertical with flat foot and adjustable clamping spindle

Overview of items

Order No.	Main material	Opening angle holding arm position 1	Opening angle holding arm position 2	Opening angle holding arm stop pin removed	Opening angle handle position 1	Opening angle handle position 2	Opening angle handle stop pin removed	Order No. Angle bracket	Matching plastic grip
K0058.0075	steel	130°	-	160°	90°	-	100°	K0098.02	K0100.16
K0058.0100	steel	95°	-	185°	65°	-	105°	-	K0100.16
K0058.0150	steel	95°	-	185°	75°	-	110°	K0098.02	K0100.19
K0058.0200	steel	105°	-	175°	70°	-	95°	-	K0100.22
K0058.0250	steel	95°	125°	160°	70°	85°	100°	K0098.04	K0100.28
K0058.0300	steel	105°	-	160°	65°	-	90°	-	K0100.28
K0058.0350	steel	90°	120°	180°	70°	80°	110°	K0098.06	K0100.30
K0058.0450	steel	90°	125°	180°	70°	85°	110°	K0098.06	K0100.34
K0058.0550	steel	90°	120°	180°	65°	80°	110°	-	K0100.35
K0058.0075N	stainless steel	130°	-	160°	90°	-	100°	-	K0100.16
K0058.0150N	stainless steel	95°	-	185°	75°	-	110°	-	K0100.19
K0058.0250N	stainless steel	95°	125°	160°	70°	85°	100°	-	K0100.28

Order No.	Main material	A	A1	A2	A3	B	B1	B3	B4	C	C1	D	H	L	L1	M	Hand force FH N	Retaining force F1 N	Retaining force F2 N	Clamping force F3 N	Clamping force F4 N
K0058.0075	steel	16	25	5	-	24	34	5,5	-	16	9	4,4	94	57	32	M5x35	80	700	1100	500	750
K0058.0100	steel	16	29	6	14	24	34	5,5	17,5	22	9,5	4,8	98	67	38	M5x35	80	700	1000	500	800
K0058.0150	steel	12,7	27	7	-	27	38	6,4	-	23	11	5,1	121	70	43	M6x50	120	1350	1650	800	1050
K0058.0200	steel	19	35	8	12,7	27	42	6,3	25	30	12,7	5,5	135	79	44	M6x50	100	1000	2200	950	1350
K0058.0250	steel	19	35	8	-	32	47	8,8	-	32	17,5	7,1	175	110	75	M8x60	190	1000	2800	900	1700
K0058.0300	steel	25	43	9	19	34,5	53	8,8	-	34	19	8	186	143	100	M8x60	130	2000	3700	900	1850
K0058.0350	steel	32	50	9	-	45	64	10,6	-	43	22	8,3	220	145	95	M10x80	230	2200	4500	1400	3000
K0058.0450	steel	32	53	10	-	45	64	12,7	-	51	25	8,7	228	177	124	M12x100	260	3200	7000	1400	3000
K0058.0550	steel	51	76	12,5	-	70	95	16,5	-	84	32	12,3	312	232	156	M16x150	290	3000	8000	1800	3900
K0058.0075N	stainless steel	16	25	5	-	24	34	5,5	-	16	9	4,4	94	57	32	M5x35	80	700	1100	500	750
K0058.0150N	stainless steel	12,7	27	7	-	27	38	6,4	-	23	11	5,1	121	70	43	M6x50	120	1350	1650	800	1050
K0058.0250N	stainless steel	19	35	8	-	32	47	8,8	-	32	17,5	7,1	175	110	75	M8x60	190	1000	2800	900	1700