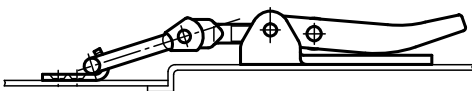
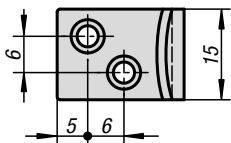
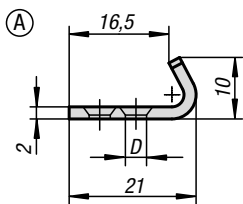
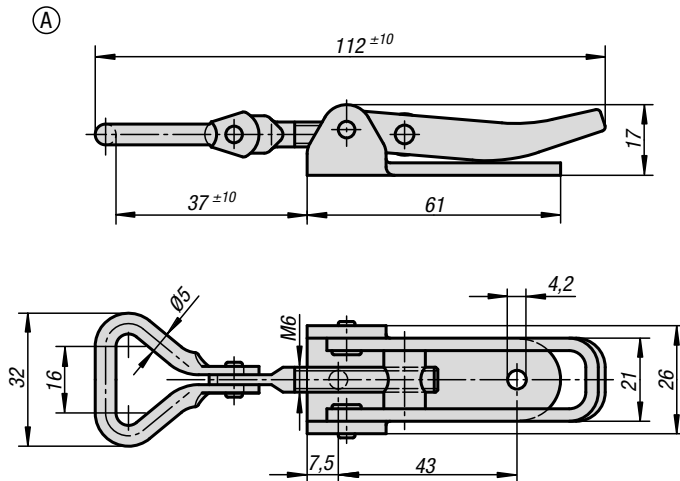


Latches adjustable

with swing bail



Material:

Steel or stainless steel 1.4301.

Version:

Steel trivalent blue passivated.
Stainless steel bright.

Sample order:

Latch K0050.1421121

Catch plate K0050.9135211

Note:

Adjustable latches are secure locking systems for industrial applications. By exceeding the dead center they resist vibration. To compensate for tolerances the latch has a swing mounted bail.

After the bail is engaged with the catch plate, the parts to be locked can be drawn together by up to 15 mm by pushing the lever down. To compensate for tolerances or to create enough tension the bail length can be adjusted by the M6 threaded spindle.

The latches can be screwed down or riveted. We recommend using countersunk screws for fastening the components.

Order catch plates separately.

The retaining force F1 applies to the latch, not the catch plate.

On request:

Available with safety catch to prevent springing open.

Accessories:

K0044.9242451

K0044.9242452

Applications:

We recommend using countersunk screws for fastening the components.

KIPP Latches adjustable, with swing bail

Order No. steel	Order No. stainless steel	Form	Retaining force F1 N
K0050.1421121	K0050.1421122	A	1000

KIPP Catch plates

Order No. steel	Order No. stainless steel	Form	D
K0050.9135211	K0050.9135212	A	3,7