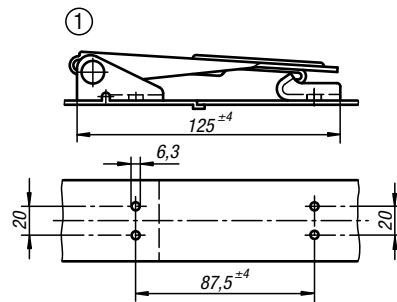
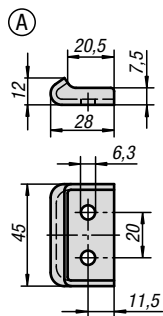
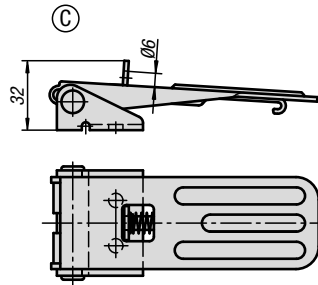
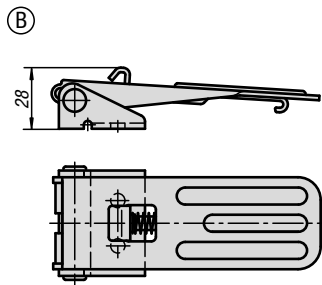
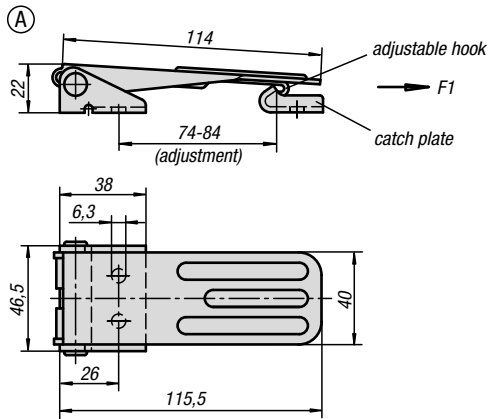


## Latches adjustable

fastening holes covered



**Material:**

Steel or stainless steel 1.4301.

**Version:**

Steel trivalent blue passivated.  
Stainless steel bright.

**Sample order:**

Latch K0049.1631161  
Catch plate K0048.9163281

**Note:**

Adjustable latches are secure locking systems for industrial applications. By exceeding the dead center they resist vibration. These latches are very robust and have a low overall height.

After the hook is engaged with the catch plate, the parts to be locked can be drawn together by up to 6 mm by pushing the lever down. To compensate for tolerances or to create enough tension, the hook length can be adjusted using the M6 threaded spindle.

The latches can be screwed down or riveted.

Order required catch plate separately.

The retaining force F1 applies to the latch, not the catch plate.

**Drawing reference:**

Form A standard  
Form B with lock  
Form C with padlock hole

1) Hole arrangement for assembly with catch plate

### KIPP Latches adjustable, fastening holes covered

Order No. steel	Order No. stainless steel	Form	Retaining force F1 N
K0049.1631161	K0049.1631162	A	4000
K0049.2631161	K0049.2631162	B	4000
K0049.3631161	K0049.3631162	C	4000

### KIPP Catch plates

Order No. steel	Order No. stainless steel	Form
K0048.9163281	K0048.9163282	A