

Latches adjustable

fastening holes accessible



Material:
Steel or stainless steel 1.4301.

Version:
Steel trivalent blue passivated.
Stainless steel bright.

Sample order:
Latch K0048.1631391
Catch plate K0048.9163281

Note:
Adjustable latches are secure locking systems for industrial applications. By exceeding the dead center they resist vibration. These latches are very robust and have a low overall height.

After the hook is engaged with the catch plate, the parts to be locked can be drawn together by up to 6 mm by pushing the lever down. To compensate for tolerances or to create enough tension, the hook length can be adjusted using the M6 threaded spindle.

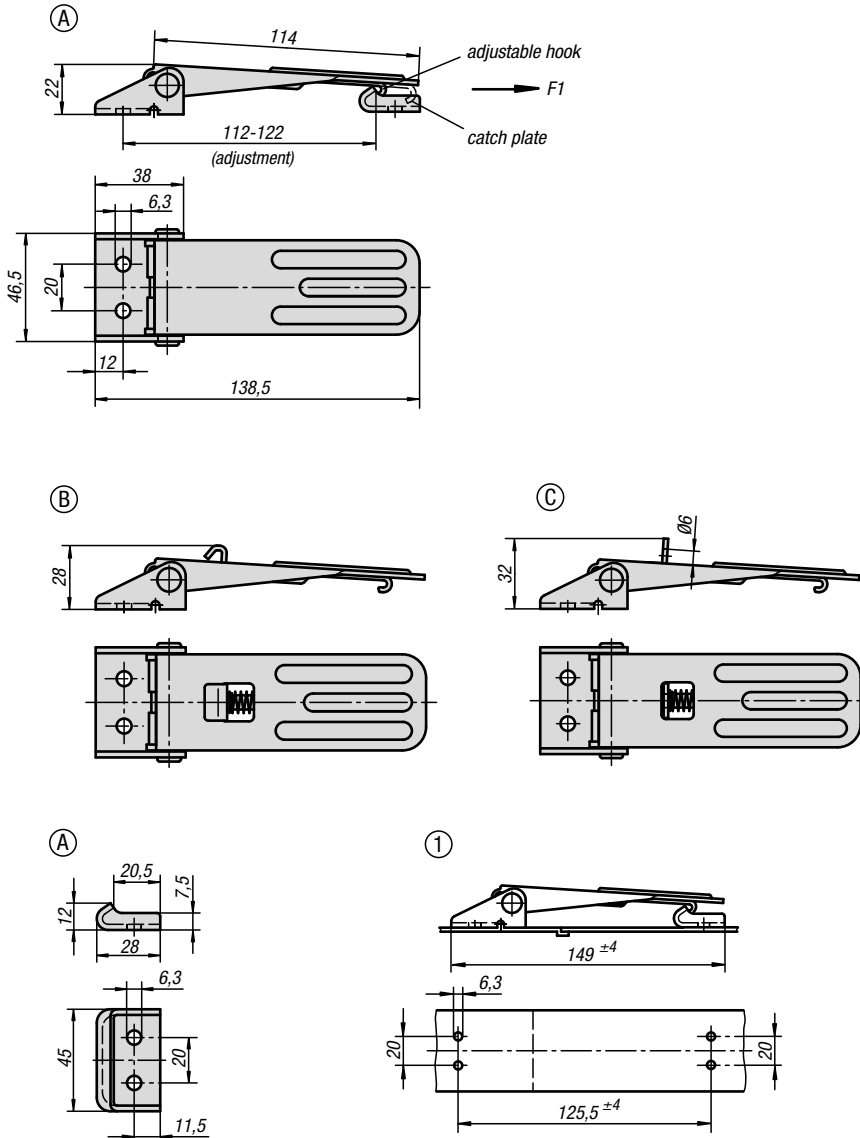
The latches can be screwed down or riveted.

Order required catch plate separately.

The retaining force F1 applies to the latch, not the catch plate.

Drawing reference:
Form A standard
Form B with lock
Form C with padlock hole

1) Hole arrangement for assembly with catch plate



KIPP Latches adjustable, fastening holes accessible

| Order No. steel | Order No. stainless steel | Form | Retaining force F1 N |
|-----------------|---------------------------|------|----------------------|
| K0048.1631391 | K0048.1631392 | A | 4000 |
| K0048.2631391 | K0048.2631392 | B | 4000 |
| K0048.3631391 | K0048.3631392 | C | 4000 |

KIPP Catch plates

| Order No. steel | Order No. stainless steel | Form |
|-----------------|---------------------------|------|
| K0048.9163281 | K0048.9163282 | A |