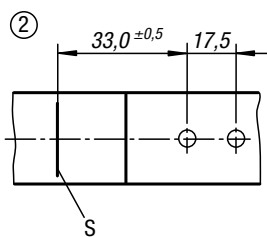
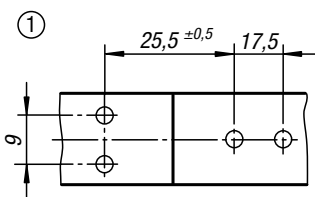
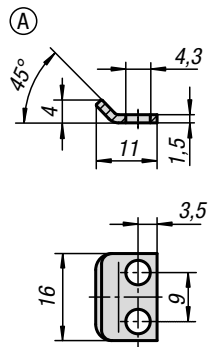
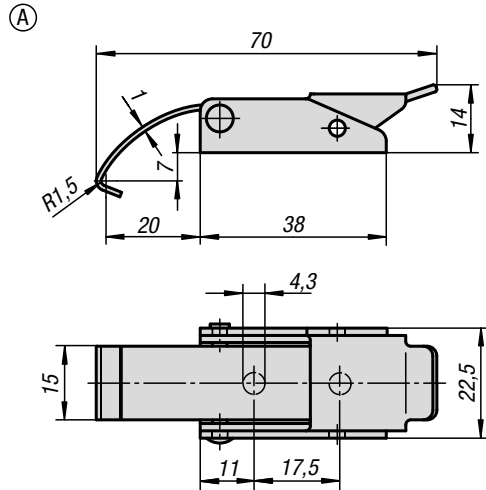


## Latches

with spring clip



**Material:**

Steel or stainless steel 1.4301.

**Version:**

Steel trivalent blue passivated.  
Stainless steel bright.

**Sample order:**

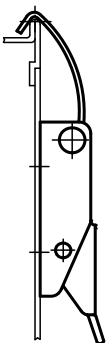
Latch K0043.1430701

Catch plate K0043.9143111

**Drawing reference:**

- 1) Hole arrangement for mounting with catch plate
- 2) Hole arrangement for mounting without catch plate

S = contact edge



### KIPP Latches with spring clip

Order No. steel	Order No. stainless steel	Form	Retaining force F1 N
K0043.1430701	K0043.1430702	A	500

### KIPP Catch plates

Order No. steel	Order No. stainless steel	Form
K0043.9143111	K0043.9143112	A