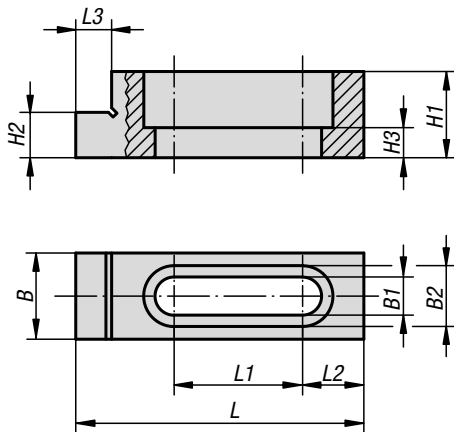


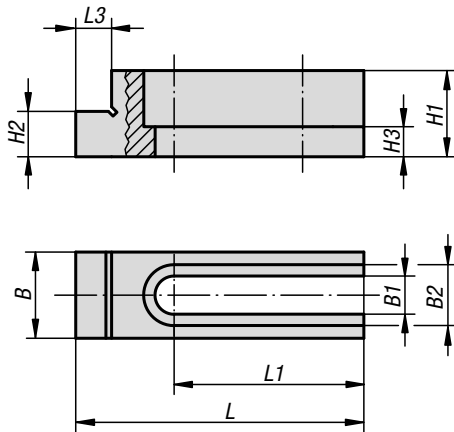
Riser stops



K0032.08, K0032.12



K0032.16



Material:

Steel.

Version:

Tempered, black oxidised.
Riser faces ground.

Sample order:

K0032.12

Note:

Also called multi-fixture clamps and stops.
Cost-effective custom made clamping fixtures can be produced using the adjustable riser cam clamps together with the matching riser stops.

KIPP Riser stops

Order No.	for screws	L	L1	L2	L3	B	B1	B2	H1	H2	H3	Long hole
K0032.08	M8	63,5	28,3	13,5	7,9	19	8,4	13,4	19	11,684 -0,013	6,6	closed
K0032.12	M12	95,2	42,7	12,7	7,9	28,5	13,4	19,8	22	12,192 -0,013	6,9	closed
K0032.16	M16	107	46,2	-	9,5	38	17	24,8	50,7	35,001 -0,013	21,3	open