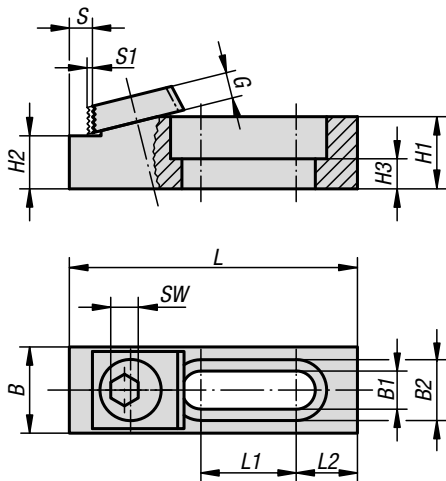


Cam clamps

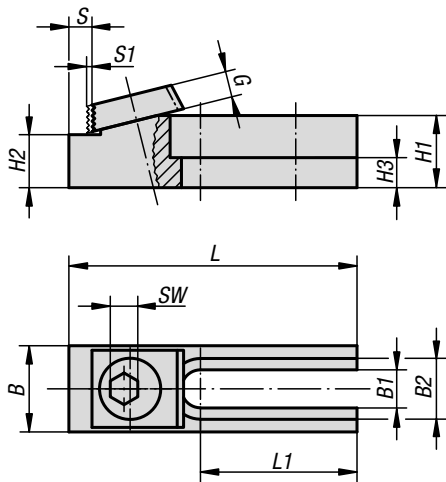
adjustable with riser



K0031.08, K0031.12



K0031.16



Material:
Steel.

Version:
Body tempered, black oxidised, riser faces ground.
Square washer case hardened and brass-plated.

Sample order:
K0031.12

Note:
Also called multi-fixture clamps and stops.
Cost-effective custom made clamping fixtures can be produced using the adjustable riser cam clamps together with the matching riser stops.

On request:
Replacement cam screws.

KIPP Cam clamps adjustable with riser

Order No.	suitable fastening screw	L	L1	L2	B	B1	B2	H1	H2	H3	S	S1	G	SW	Long hole	Clamping force kN	Tightening torque max. Nm
K0031.08	M8	63,5	21	13,5	19	8,4	13,4	15,9	11,684 -0,013	6,6	6,3	1,2	5,3	7	closed	8,9	28
K0031.12	M12	95,1	42,7	12,7	28,5	13	19,8	15,9	12,192 -0,013	6,9	7,1	2	9,5	8	closed	17,8	88
K0031.16	M16	107	46,3	-	38	17	24,8	41	35,001 -0,013	21	8,3	2,5	12,7	12	open	26,7	135