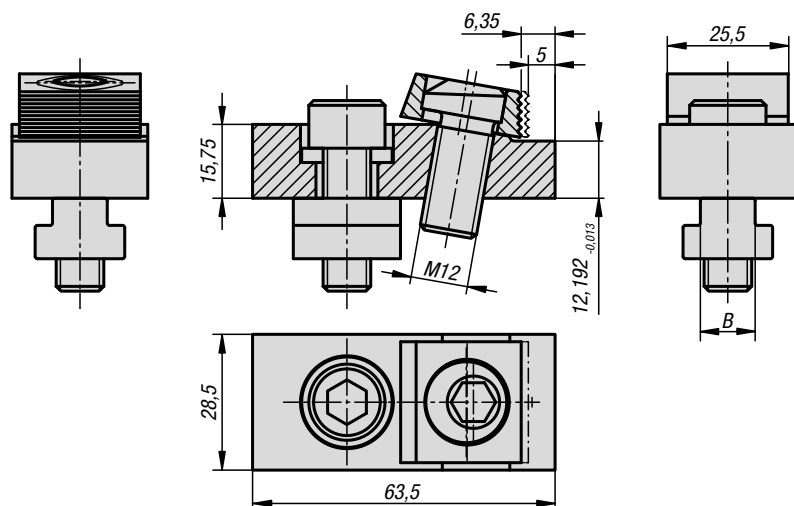


## Cam clamps with riser



**Material:**  
Steel.

**Version:**  
Body tempered and black oxidised.  
Square washer case hardened and brass-plated.

**Sample order:**  
K0028.16

**Note:**  
Also called riser clamps.  
These cam clamps with riser can be used directly on machine tables. A positive down force is exerted during clamping.

**On request:**  
Replacement cam screws.

### KIPP Cam clamps with riser

Order No.	B Slot width	Clamping force kN
K0028.12	12	12
K0028.14	14	12
K0028.16	16	12
K0028.18	18	12