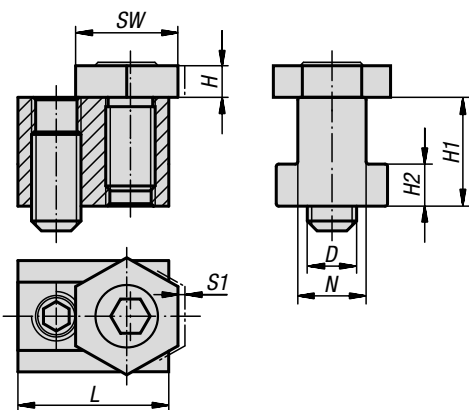


# Cam screws

with hexagon washer, for T-slots



### Material:

Carbon steel.  
Hex washer brass.

### Version:

Tempered to 10.9 and black oxidised.

### Sample order:

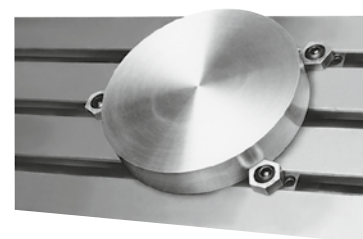
K0027.12

### Note:

Also called fixture clamps for T-slots.  
These fixture clamps can be used directly on machine tables or other tables with T-slots. The grub screw at the rear locks the T-nut in the slot. Thin shims are recommended to prevent marking the bottom of the T-slot.

### On request:

Replacement cam screws.



## KIPP Cam screws with hexagon washer, for T-slots

| Order No. | D   | N  | H    | H1   | H2  | L    | SW | S1<br>(travel) | Clamping<br>force<br>kN |
|-----------|-----|----|------|------|-----|------|----|----------------|-------------------------|
| K0027.08  | M6  | 8  | 4,8  | 9,6  | 4,5 | 23   | 16 | 1              | 3,4                     |
| K0027.10  | M6  | 10 | 4,8  | 14   | 4,5 | 23   | 16 | 1              | 3,4                     |
| K0027.12  | M8  | 12 | 4,8  | 15,5 | 6,5 | 28   | 21 | 1              | 3,6                     |
| K0027.14  | M10 | 14 | 6,4  | 22   | 8,5 | 30,5 | 21 | 1,6            | 9                       |
| K0027.16  | M12 | 16 | 9,5  | 22,5 | 9   | 30,5 | 25 | 2              | 18                      |
| K0027.18  | M12 | 18 | 9,5  | 28,5 | 10  | 34,5 | 25 | 2              | 18                      |
| K0027.20  | M16 | 20 | 12,7 | 32   | 12  | 39   | 30 | 2,5            | 27                      |
| K0027.22  | M16 | 22 | 12,7 | 38,2 | 14  | 44   | 30 | 2,5            | 27                      |