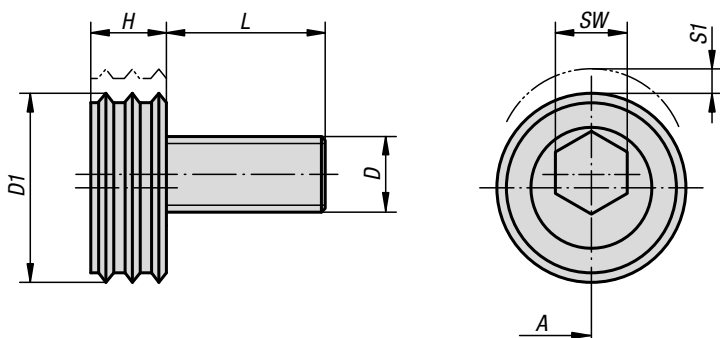


Cam screws

with knife edge washer



Material:

Knife edge washer.
Cam screw carbon steel.

Version:

Cam screw tempered to 10.9 and black oxidised.
Knife edge washer hardened and anodised.

Sample order:

K0025.16

Note:

Also called knife edge clamps.
The hardened knife edge washer is suitable for clamping rough cut stock, castings, forgings etc.

“A” = distance from workpiece to screw centre (cam screw).

On request:

Replacement cam screws.

KIPP Cam screws with knife edge washer

Order No.	A	D	D1	L	H	SW	S1 (travel)	Clamping force kN	Tightening torque max. Nm
K0025.12	12,7	M12	25,4	22,5	9,6	8	2	18	88
K0025.16	15	M16	30,1	26,8	12,7	12	2,5	27	135