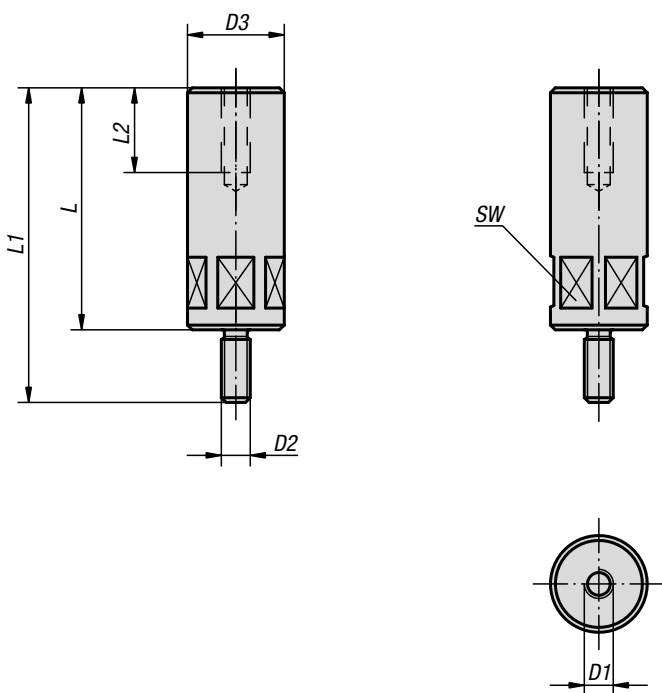


Riser bars



Material:
Carbon steel.

Version:
Black oxidised.

Sample order:
K0018.16050

Note:
The height of the hook clamps and hook clamp holders can be raised using these riser bars.

KIPP Riser bars

Order No.	D1	D2	D3	L	L1	L2	SW	Tightening torque max. Nm
K0018.08032	M8	M8	24	32	51	20	22	29,4
K0018.08040	M8	M8	24	40	59	20	22	29,4
K0018.08050	M8	M8	24	50	69	20	22	29,4
K0018.08065	M8	M8	24	65	84	20	22	29,4
K0018.12050	M12	M12	40	50	80	35	36	49
K0018.12065	M12	M12	40	65	95	35	36	49
K0018.12080	M12	M12	40	80	110	35	36	49
K0018.12100	M12	M12	40	100	130	35	36	49
K0018.12125	M12	M12	40	125	155	35	36	49
K0018.12160	M12	M12	40	160	190	35	36	49
K0018.12200	M12	M12	40	200	230	35	36	49
K0018.16050	M16	M16	50	50	80	35	46	78,4
K0018.16065	M16	M16	50	65	95	35	46	78,4
K0018.16080	M16	M16	50	80	110	35	46	78,4
K0018.16100	M16	M16	50	100	130	35	46	78,4
K0018.16125	M16	M16	50	125	155	35	46	78,4
K0018.16160	M16	M16	60	160	190	35	55	78,4
K0018.16200	M16	M16	60	200	230	35	55	78,4