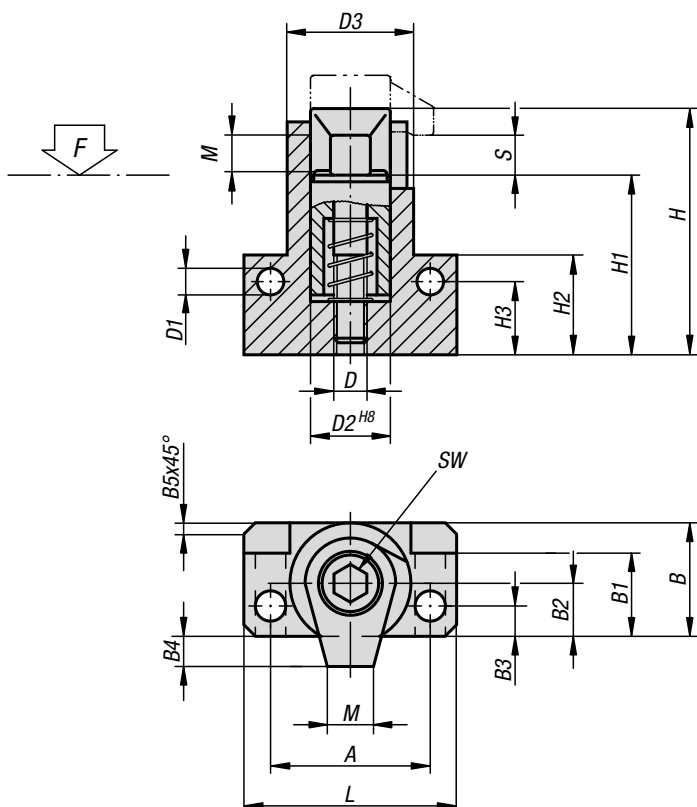


Hook clamps

with mounting bracket



Material:

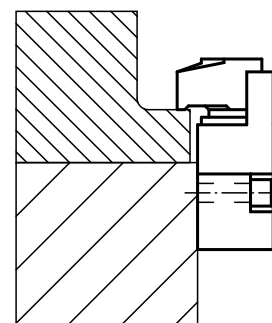
Hook clamps and clamping screw carbon steel, tempered.

Version:

Black oxidised.

Sample order:

K0016.12

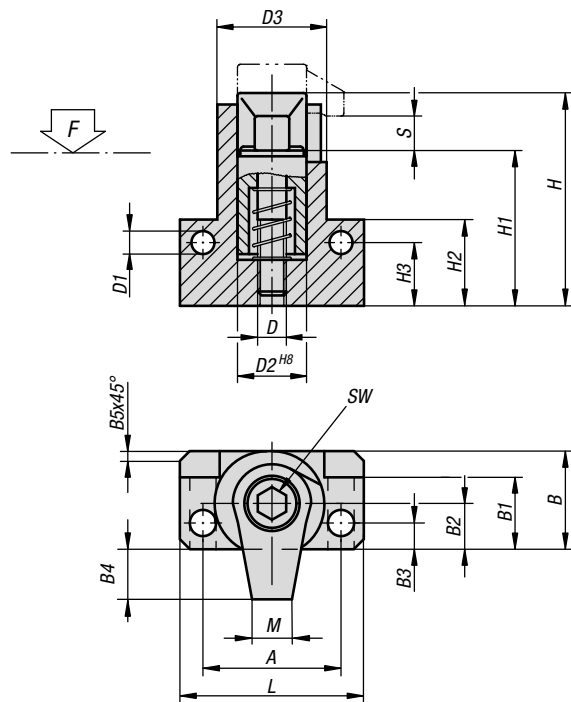


KIPP Hook clamps with mounting bracket

Order No.	D	D1	D2	D3	A	B	B1	B2	B3	B4	B5	H	H1	H2	H3	L	M	S	SW	Tightening torque max. Nm	F max. kN
K0016.08	M8	6,4	20	28	38	26	19,5	12	6	6	2,5	62	47,5	25	18	50	10	4	6	30	17
K0016.10	M10	8,4	24	34	48	31	22,5	14	7,5	9	3	74	57,5	30	21	64	12	5	8	50	18
K0016.12	M12	10,5	28	40	55	36,5	26	16,5	9	10,5	3,5	87	67	35	24	75	15	5	10	60	20
K0016.16	M16	12,8	34	48	65	43,5	31	19,5	10	16,5	4	112	87	45	32	88	20	5	14	120	24

Hook clamp with mounting bracket

with extended clamping claw



Material:

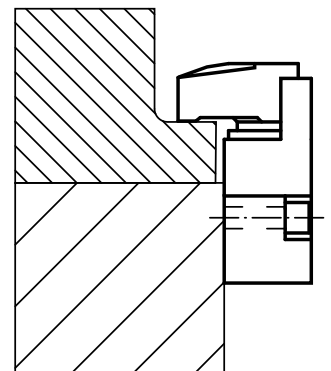
Hook clamps and clamping screw carbon steel, tempered.

Version:

Black oxidised.

Sample order:

K0016.0826



KIPP Hook clamp with extended clamping claw, with mounting bracket

Order No.	D	D1	D2	D3	A	B	B1	B2	B3	B4	B5	H	H1	H2	H3	L	M	S	SW	Tightening torque max. Nm	F max. kN
K0016.0618	M6	6,4	16	28	38	26	19,5	12	6	18	2,5	54,5	44	25	18	50	9	4	5	7,5	4,5
K0016.0826	M8	8,4	20	34	48	31	22,5	14	7,5	26	3	65	53	30	21	64	12	5	6	15	6,5
K0016.1033	M10	10,5	24	40	55	36,5	26	16,5	9	33,5	3,5	77,5	61	35	24	75	18	5	8	30	11,8