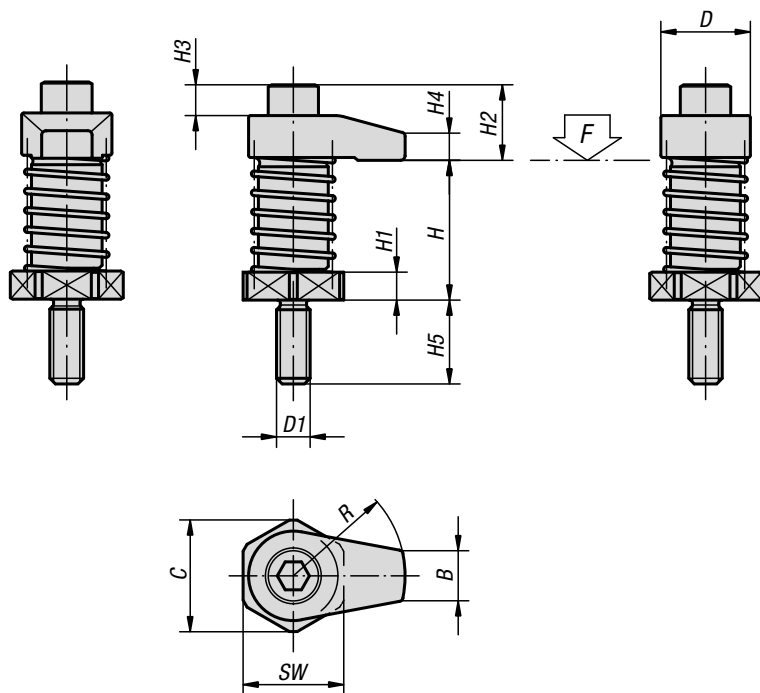


## Hook clamps

with collar



**Material:**  
Hook clamps and hook clamp holders carbon steel, tempered.

**Version:**  
Black oxidised.

**Sample order:**  
K0015.12060

**Note:**  
Hook clamps with collar can be screwed directly into grid holes etc. without counterbore.  
For suitable riser elements, see riser bars K0018.

### KIPP Hook clamps with collar

Order No.	D	D1	H clamping range	H1	H2	H3	H4	H5	B	C	R	SW	Tightening torque max. Nm	F max. kN
K0015.08020	22	M8	35-45	6	14	2	7	19	10	25	20	22	20	7,9
K0015.08025	22	M8	35-45	6	14	2	7	19	10	25	25	22	20	7,3
K0015.08030	22	M8	35-45	6	14	2	7	19	10	25	30	22	20	6,7
K0015.08120	22	M8	45-55	16	14	2	7	19	10	25	20	22	20	7,9
K0015.08125	22	M8	45-55	16	14	2	7	19	10	25	25	22	20	7,3
K0015.08130	22	M8	45-55	16	14	2	7	19	10	25	30	22	20	6,7
K0015.12040	32	M12	50-65	10	27	11	10	30	18	40	40	36	45	13,5
K0015.12050	32	M12	50-65	10	29	11	12	30	18	40	50	36	45	12,6
K0015.12060	32	M12	50-65	10	29	11	12	30	18	40	60	36	45	11,7
K0015.12140	32	M12	65-80	25	27	11	10	30	18	40	40	36	45	13,5
K0015.12150	32	M12	65-80	25	29	11	12	30	18	40	50	36	45	12,6
K0015.12160	32	M12	65-80	25	29	11	12	30	18	40	60	36	45	11,7
K0015.16040	36	M16	50-65	10	36	15	15	30	22	40	40	36	60	13,4
K0015.16050	36	M16	50-65	10	36	15	15	30	22	40	50	36	60	12,4
K0015.16060	36	M16	50-65	10	36	15	15	30	22	40	60	36	60	12
K0015.16140	36	M16	65-80	25	36	15	15	30	22	40	40	36	60	13,4
K0015.16150	36	M16	65-80	25	36	15	15	30	22	40	50	36	60	12,4
K0015.16160	36	M16	65-80	25	36	15	15	30	22	40	60	36	60	12