

## Cam clamps

double



**Material:**

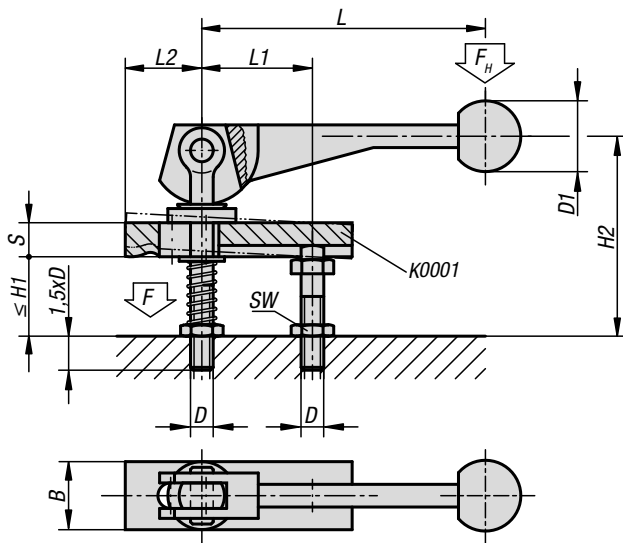
Cam lever carbon steel 1.7220.  
Strap carbon steel 1.1191

**Version:**

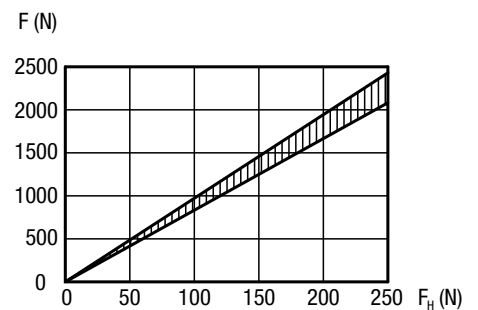
Black oxidised.

**Sample order:**

K0011.12



Force diagram



### KIPP Cam clamps, double

Order No.	L	L1	L2	B	S	H1 max.	H2	D	D1	SW
K0011.08	104±2	39	37	20	12	28	74	M8	25	13
K0011.10	123±2	49	46	25	16	39	92	M10	30	17
K0011.12	146±3	61	58	32	20	49	120	M12	30	19