

Cam clamps

single



Material:

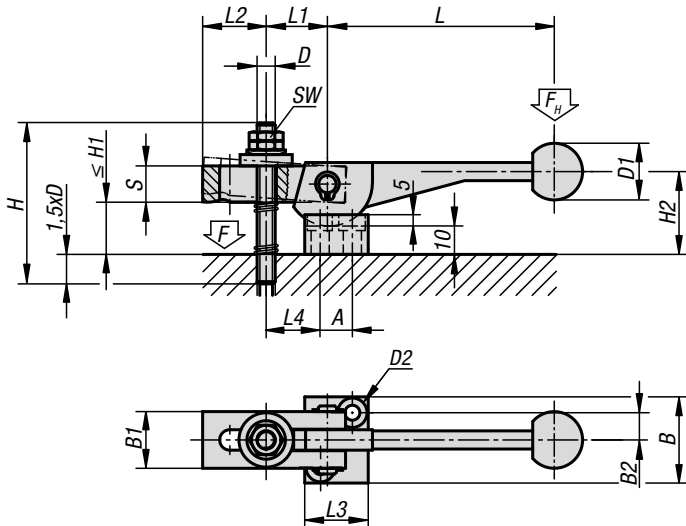
Cam lever carbon steel 1.7220.
Strap carbon steel 1.1191.

Version:

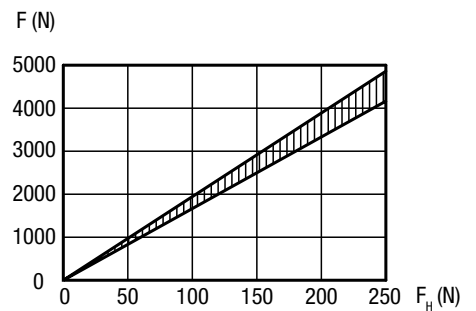
Black oxidised.

Sample order:

K0010.10



Force diagram



KIPP Cam clamps, single

Order No.	L	L1	L2	L3	L4	B	B1	B2	S	H	H1 max.	H2	D	D1	D2	A	SW
K0010.08	104±2	27	28	28	27	38	25	12	16	70	25	34	M8	25	7	14	13
K0010.10	123±2	34	36	32	35	41	32	13,5	20	80	24	40	M10	30	7	16	17
K0010.12	146±3	43	45	37	45	43	40	14,5	25	100	31	48	M12	30	7	19	19