

## Clamp straps

with adjustment unit



**Material:**

Base, ductile iron.

Clamp strap and clamping screw carbon steel.

**Version:**

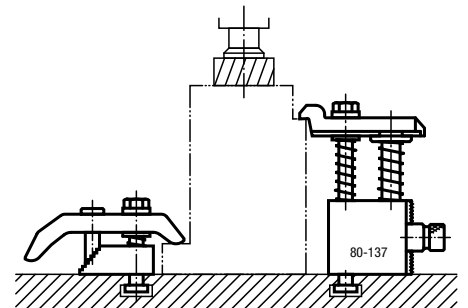
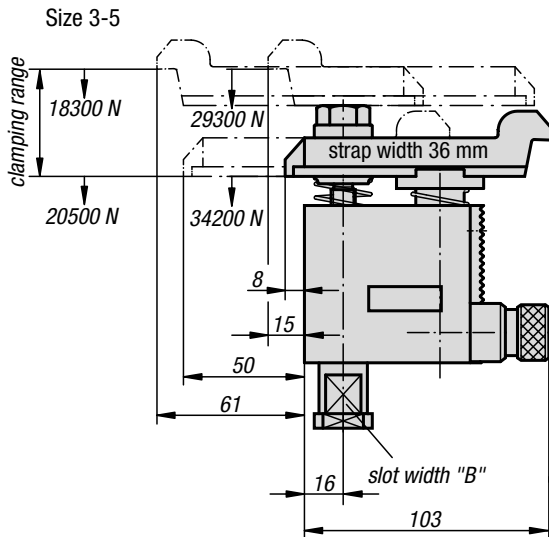
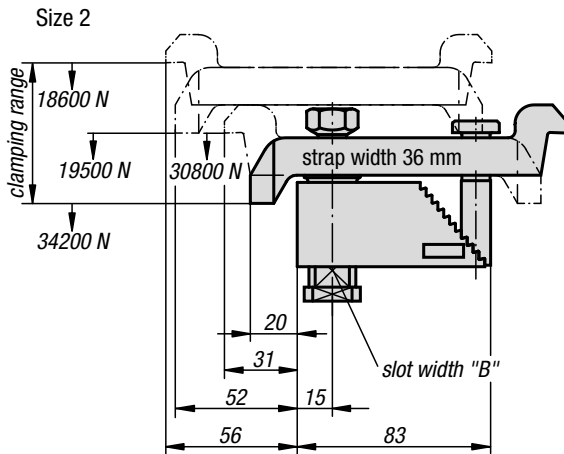
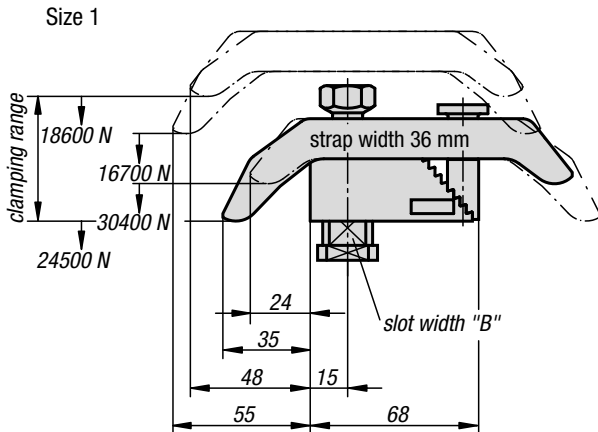
Black oxidised.

**Sample order:**

K0004.40X16 (include slot width B)

**Note:**

These clamp strap modules are universal, flexible clamps constructed from individual components building a compact unit. There are no loose parts which first have to be altered for a clamping operation. The compact design allows these clamps to be placed close to the workpiece enabling the full area of the machine table to be used.



### KIPP Clamp straps with adjustment unit

Order No.	Size	Clamp range	Slot width B DIN 650
K0004.10X	1	0-35	12/14/16/18
K0004.20X	2	25-85	12/14/16/18
K0004.30X	3	80-137	12/14/16/18
K0004.40X	4	125-224	12/14/16/18
K0004.50X	5	160-300	12/14/16/18