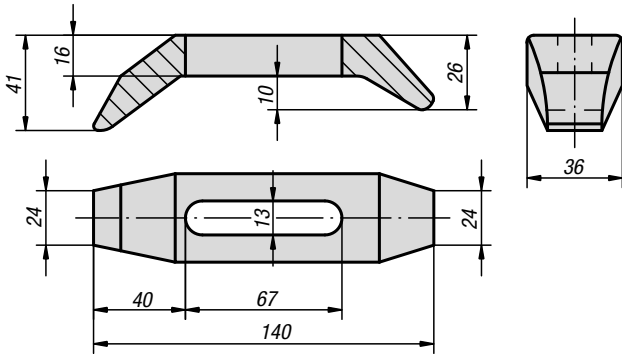


Clamp straps

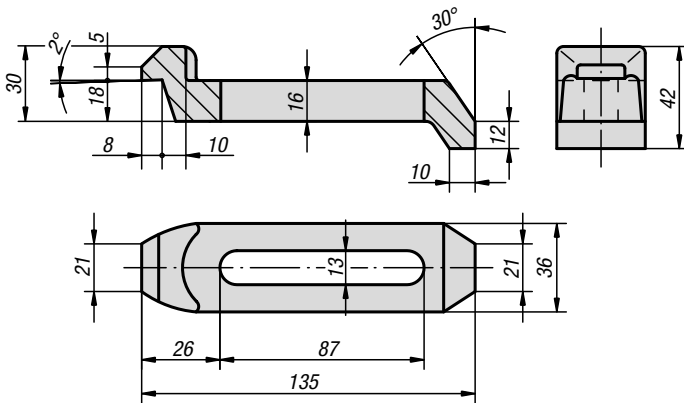
assorted, long slot



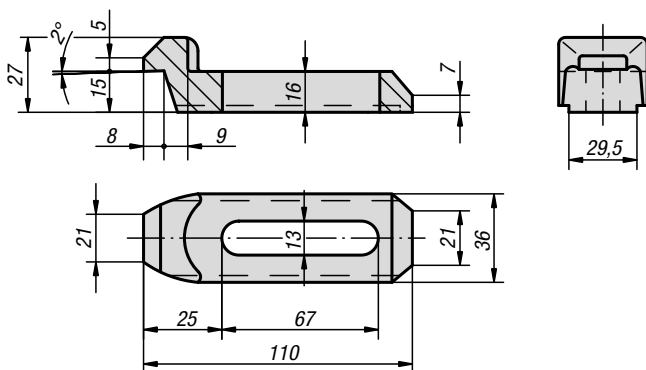
K0002.01 (0,5 kg)



K0002.05 (0,48 kg)



K0002.10 (0,35 kg)



Material:

Carbon steel 1.7225

Version:

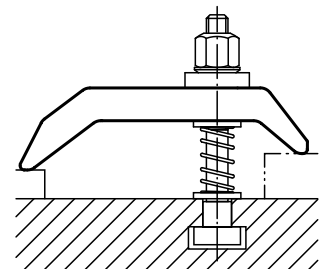
Tempered to 1000 N/mm², black oxidised.

Sample order:

K0002.10

Note:

These are the same clamp straps that are used with the adjustment units K0004.



KIPP Clamp straps, assorted, long slot

Order No.	Item
K0002.01	Clamp Strap
K0002.05	Clamp Strap
K0002.10	Clamp Strap