



KH Hinge

Corner mount

- Fits flush while allowing full 180° rotation
- Dual mounting screws provide added security
- Allows door removal for service and access

Material and Finish

Leaf: Zinc alloy, black powder coated or chrome plated
Pin: Steel, zinc plated

Performance Details

Zinc

Radial load:

Maximum static load:
3000 N (670 lbf)

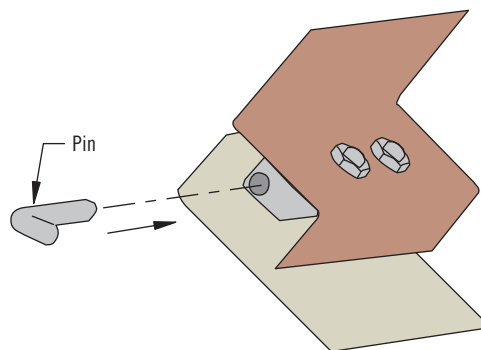
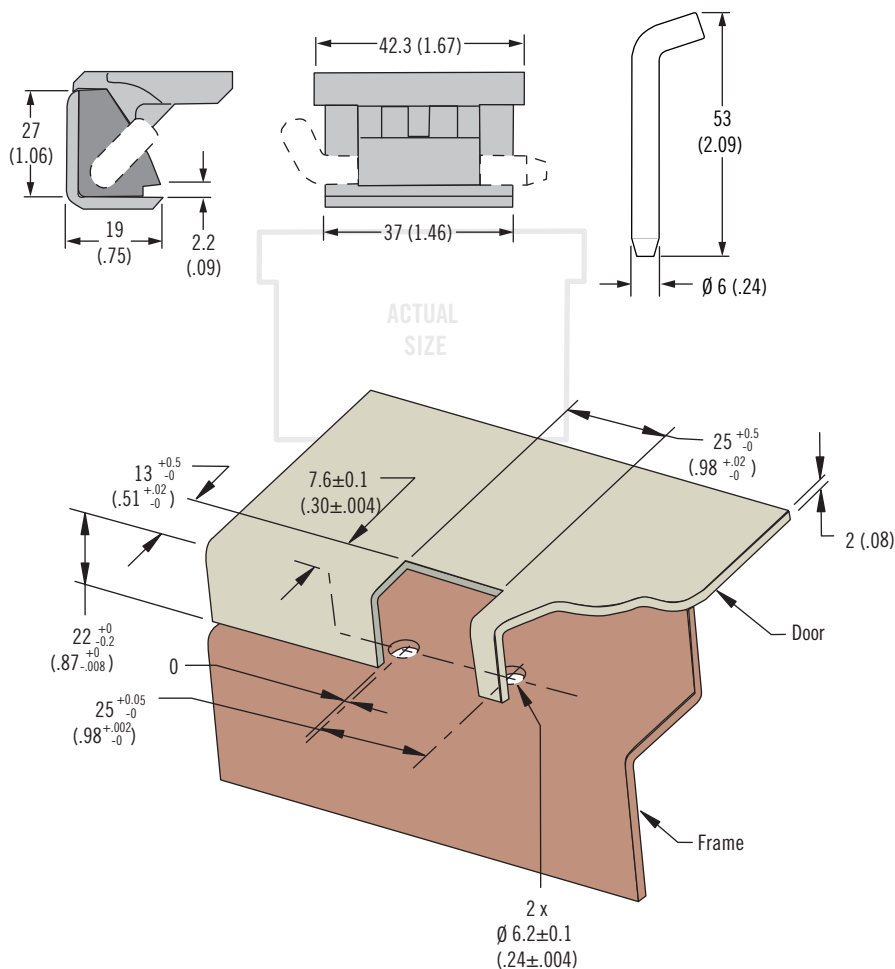
Axial load:

Maximum static load:
3000 N (670 lbf)

Installation Notes

Attach hinge with M6 screws and nuts (not supplied)

Maximum tightening torque of screw: 5 N·m (45 in·lbf)



Part Number

See table

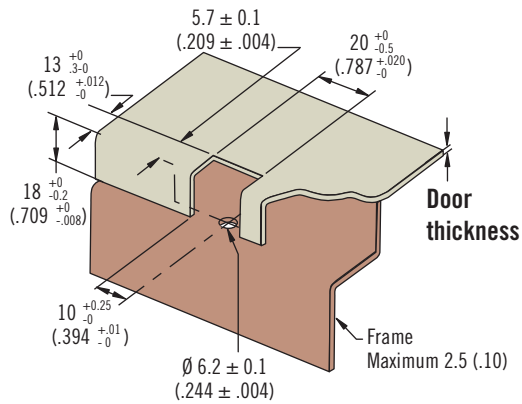
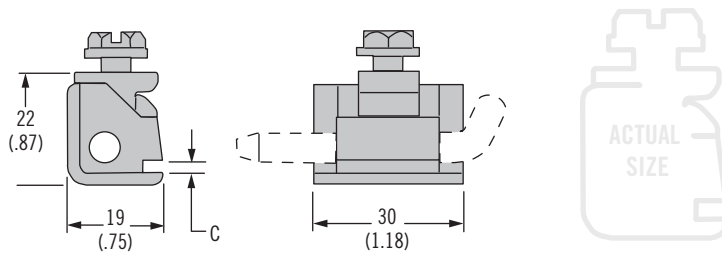
Order hinge and hinge pin separately

Part Number	
Bright Chrome	Black Powder Coated
KH-62-V1-38	KH-62-V1-50

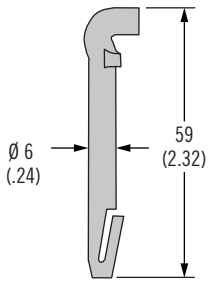
Part Number
Steel Hinge Pin
KH-G



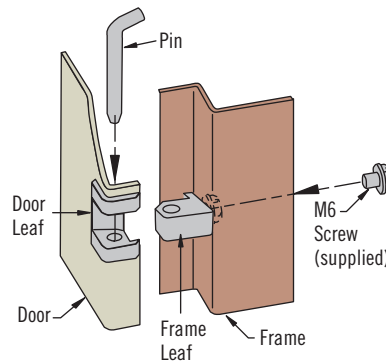
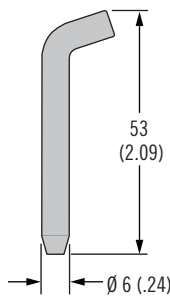
KH Hinge Corner mount



Plastic



Steel



- Fits flush while allowing full 180° rotation
- Installs quickly with only one mounting screw
- Allows door removal for service and access



Material and Finish

Leaf: Zinc alloy, black powder coated or chrome plated
Pin: Steel, zinc plated, plastic

Performance Details

Zinc

Radial load:

Maximum static load:
1200 N (270 lbf)

Axial load:

Maximum static load:
1200 N (270 lbf)

Installation Notes

Screw supplied

Attach hinge with M6 x 10

Maximum screw length equals
frame thickness plus 7.5 (.30)

Maximum tightening torque of
screw: 5 N•m (45 in•lbf)

D Door Thickness	Part Number	
	Bright Chrome	Black Powder Coated
1 - 1.2 (.04 - .05)	KH-41-T1-38	KH-41-T1-50
1.5 - 2 (.06 - .08)	KH-42-T1-38	KH-42-T1-50

Part Number	
Plastic Hinge Pin	Steel Hinge Pin
KH-P	KH-G

Part Number

See table

Order hinge and hinge pin
separately