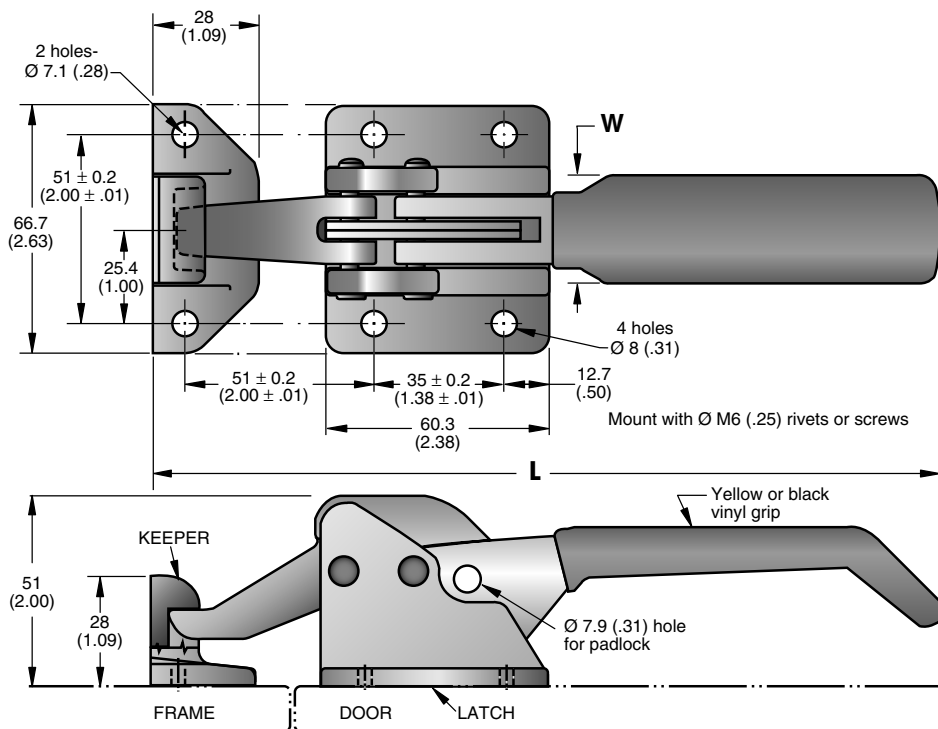


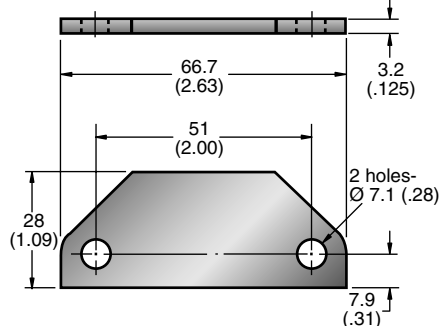
Southco® Compression Latches

Over-center Lever Latch

- Designed for heavy-duty applications
- Provides consistent gasket compression
- Built-in leverage helps open stuck doors
- Padlock option



SHIM provided to make adjustments in latching plane of keeper when necessary.



One supplied with each assembly.
For extra shims order part no. **A2-54-501-11.**



Raise the handle; built in leverage applies a prying force against any rust, ice or paint that tries to resist opening.



Close the door, push the handle down; the same linkage forces a secure closure regardless of dirt or corrosion.

Material and Finish

BASE, LEVER, PAWL and KEEPER: Malleable iron.

LINKS: 1065 Steel.

MAIN CROSSPINS: 10B21 Steel.

Components listed above are zinc immersion coated plus bright metallic organic coating.

LINK PINS: 1215 Steel, zinc plated plus bright chromate dip.

SHIM: 1010 Steel, zinc immersion coating plus bright metallic organic coating.

SPRING: 302 Stainless steel, passivated.

OTHER PINS: 302 Stainless steel, passivated.

Product Strength Guidelines

(To assist in your product selection; samples are available for your evaluation.)

Maximum static load: 2220 N (500 lbs.)

Average ultimate load: 4450 N (1000 lbs.)

Latch is packaged one unit per box.

millimeter (inch)
millimeter (inch)

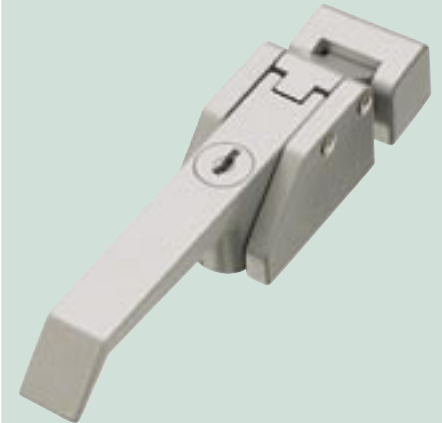
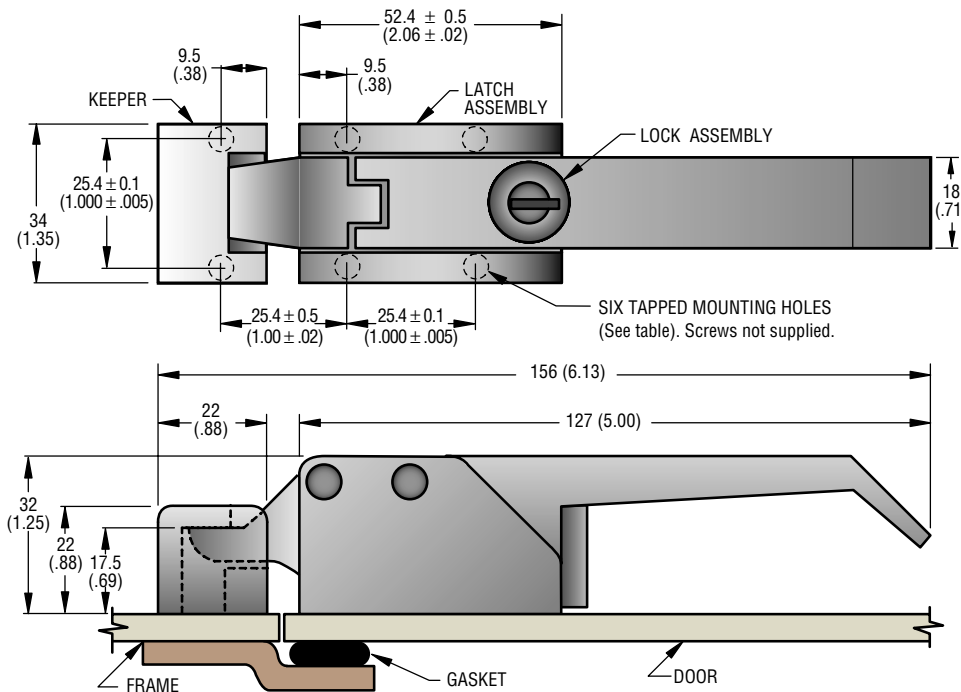
Dimensions without tolerances are for reference only.

STYLE	PART NUMBER	L	W
With plain handle	A2-10-501-10 •	211 (8.3)	25.4 (1.00)
With yellow vinyl handle grip	A2-10-501-22 •	214 (8.44)	30.2 (1.19)
With black vinyl handle grip	A2-10-501-21 •	214 (8.44)	30.2 (1.19)

Southco® Compression Latches

Over-center Lever Latch

- Provides consistent gasket compression
- Built-in leverage helps open stuck doors
- Keylocking version available



FINISH	STYLE	PART NUMBER tapped mounting hole size	
		# 10-32 UNC x 0.38" deep	Metric M5 x 0.8 x 9.5mm deep
Satin silver coat	Standard	A7-10-301-75	A7-10-351-75 •
	with lock*	A7-10-302-75	A7-10-352-75 •
black coat	Standard	A7-10-301-20 •	A7-10-351-20 •
	with lock*	A7-10-302-20 •	A7-10-352-20 •
Chrome plated	Standard	A7-10-301-30 •	A7-10-351-30 •
	with lock*	A7-10-302-30 •	A7-10-352-30 •

*Locks are keyed alike. Randomly keyed locks are available. Contact Southco for details.

Material and Finish

LEVER, PAWL, BASE, KEEPER and LOCK (when used): Die-cast zinc, chrome plated or powder coated (black or satin silver). (See table). INTERNAL PINS: 303 Stainless steel, natural.
 VISIBLE PINS: 302 Stainless steel, passivated.
 SPRING: Music wire, phosphate dip plus black organic coating.
 LOCK EXTENSION and LINK: Die-cast zinc with chemical protective film.
 LOCK SLIDE: Steel, zinc plate plus bright chromate dip.

Product Strength Guidelines

(To assist in your product selection; samples are available for your evaluation.)
 Maximum static load: 2200 N (500 lbs.)
 Average Ultimate load: 3700 N (825 lbs.)

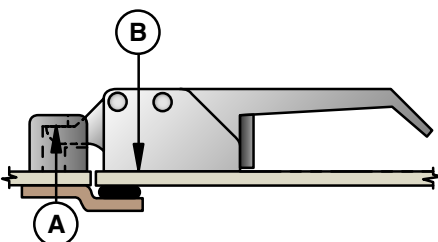
Latch is packaged one unit per box.

millimeter (inch)
 millimeter (inch)

Dimensions without tolerances are for reference only.

Latching

Lower handle. Latching pawl engages keeper, applies force A. Resultant force B closes and latches door with over-center toggle action, 9.5 (0.38) pull-up distance.



Unlatching

Raise handle; action is reversed. Force C results in opposite force D applied through latch; door is mechanically pried open a distance of 7.9 (0.31).

