



3/16" Sizes (.188" Dia.)

Tension Strength: 30 lbs.
Shear Strength: 45 lbs.
Force to Pull Plunger from Grommet: 25 lbs.
Temperature Range: -65°F to +185°F
 Polysulfone grommets to +325°F
Weight Grommet (100): .026 lbs.
Weight Plunger (100): .042 lbs.

Hole Diameters

Removable Panel: .180" to .183"
Fixed Structure: .189" to .192"
Operable Hole Misalignment: ±.007"

Sheet Capacity		Dimensions			Length Number ¹	
G Range	P Max.	H Max.	L Max.	W Dia.	Grommet	Plunger
.056" - .153"	.042"	.065"	.330"	.255"	-31	-32
.079" - .176"	.065"	.050"	.346"	.255"	-32	-32
.112" - .209"	.098"	.050"	.390"	.255"	-33	-33 ²
.152" - .249"	.138"	.050"	.430"	.255"	-34	-34

1/4" Sizes (.250" Dia.)

Tension Strength: 40 lbs.
Shear Strength: 75 lbs.
Force to Pull Plunger from Grommet: 50 lbs.
Temperature Range: -65°F to +185°F
 Polysulfone grommets to +325°F
Weight Grommet (100): .057 lbs.
Weight Plunger (100): .081 lbs.

Hole Diameters

Removable Panel: .238" to .242"
Fixed Structure: .250" to .254"
Operable Hole Misalignment: ±.019"

Sheet Capacity		Dimensions			Length Number ¹	
G Range	P Max.	H Max.	L Max.	W Dia.	Grommet	Plunger
.059" - .148"	.042"	.079"	.371"	.336"	-41	-42 ²
.084" - .173"	.065"	.064"	.386"	.336"	-42	-42 ²
.118" - .207"	.098"	.064"	.430"	.336"	-43	-43
.182" - .271"	.162"	.064"	.494"	.336"	-44	-44 ²

5/16" Sizes (.313" Dia.)

Tension Strength: 60 lbs.
Shear Strength: 150 lbs.
Force to Pull Plunger from Grommet: 50 lbs.
Temperature Range: -65°F to +185°F
 Polysulfone grommets to +325°F
Weight Grommet (100): .110 lbs.
Weight Plunger (100): .180 lbs.

Hole Diameters

Removable Panel: .294" to .299"
Fixed Structure: .316" to .323"
Operable Hole Misalignment: ±.020"

Sheet Capacity		Dimensions			Length Number ¹	
G Range	P Max.	H Max.	L Max.	W Dia.	Grommet	Plunger
.059" - .148"	.042"	.095"	.371"	.420"	-51	-52 ²
.084" - .173"	.065"	.080"	.387"	.420"	-52	-52 ²
.118" - .207"	.098"	.080"	.429"	.420"	-53	-53 ²
.182" - .271"	.162"	.080"	.494"	.420"	-54	-54 ²
.230" - .319"	.210"	.080"	.542"	.420"	-55	-55

Notes (for all 3 tables):

1. Use to build part number. You must use the Plunger Number matching the Grommet Number as shown in these tables when ordering.
2. Available in Tamper-proof head style.

All dimensions on this page are in inches.



The original 2-piece Nylatch Fastener is a proven performer in thousands of quick accessibility applications.

- Low total installed cost
- Replaces screws, nuts and bolts in numerous applications
- Available for immediate delivery
- Non-conductive, non-corrosive materials
- Adjusts to hole misalignment and variations in thickness
- Three head styles options
- Materials can be varied to suit your requirements

Material

Polycarbonate, polysulfone, acetal or nylon

Mechanical

Operating Temperature:

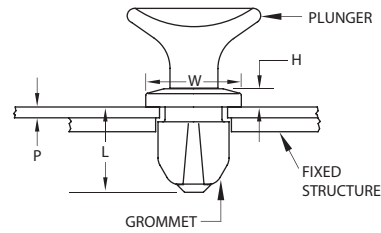
Nylon: -65°F to +185°F
Polysulfone grommets to +325°F

Notes:

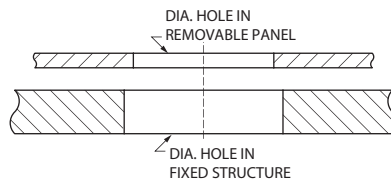
1. Flammability ratings vary depending on material selection. See part number selection section on following pages.
2. The 2-Piece Nylatch has been successfully tested at loads up to 5 lbs. from 65° to 185°F. It is anticipated that greater creep rates will occur at elevated temperatures, and below -20°F. Nylatch panel fasteners might fracture when operated. Above 185°, polysulfone grommets are recommended.

All dimensions on this page are in inches.

Assembly Dimensions



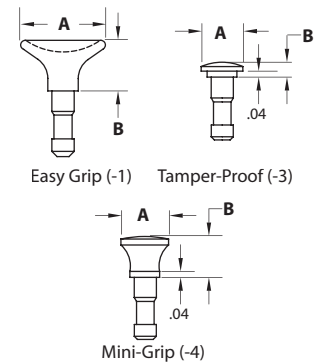
Panel Preparation



Note:

See hole dimension information for each fastener size at right.

Head Styles



Head Style Code	Plunger Size					
	3/16"		1/4"		5/16"	
	A	B	A	B	A	B
-1	—	—	—	—	.63"	.38"
-3	.26"	.10"	.28"	.10"	.30"	.11"
-4	.25"	.26"	.32"	.28"	.38"	.30"

Selection Guide

1. Strength

Review the strength value table at right to select a fastener size that will deliver the strength your application demands.

2. Grip

Add the thicknesses of the two panels in which the fastener is to be used (Figure 1). Include the thickness of any paint or coatings. This sum must fall within a range tabulated for each fastener size on the following page.

3. Outer Panel Thickness (P)

For any Grip range there is a maximum outer panel thickness, P (Figure 1). Select the appropriate grommet by using P Max from the grommet and plunger tables.

4. Complete Part Number

With each grip and outer panel size you will find a matching pair of Plunger and Grommet lengths tabulated. Use these two length numbers to form the part numbers that together will provide a fastener assembly that fits your application.

5. Finish Part Number

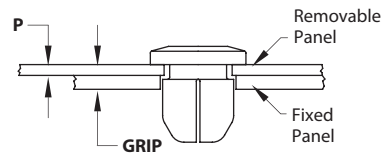
Plunger head styles and material/color combinations are added last. The options are shown in the part number scheme layout.

Strength Value

Ultimate Single Shear Max.	Ultimate Tensile Load Max.	Fastener Size
45 lbs.	30 lbs.	.188"
75 lbs.	40 lbs.	.250"
150 lbs.	60 lbs.	.313"

Grip and Top Panel Thickness (P)

Figure 1



Grommet shown without plunger.

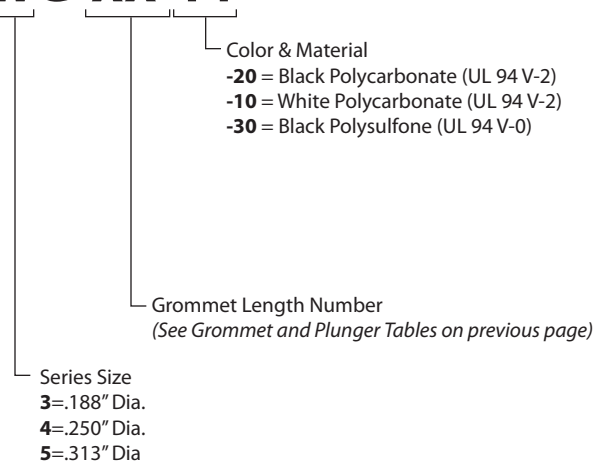


Part Selection Instructions

You may mix or match colors and materials with your grommets and plungers. However, you must select the appropriate sized plunger for the grommet you've chosen. 3/16" plungers work with 3/16" grommets, etc. You must also choose the appropriate length plunger for your grommet. Once you've selected your Grommet Length (from the tables on the parts description pages), you must use the corresponding Plunger Length. The table below shows the corresponding Plunger Length for each Grommet Length.

Grommet Part Numbers

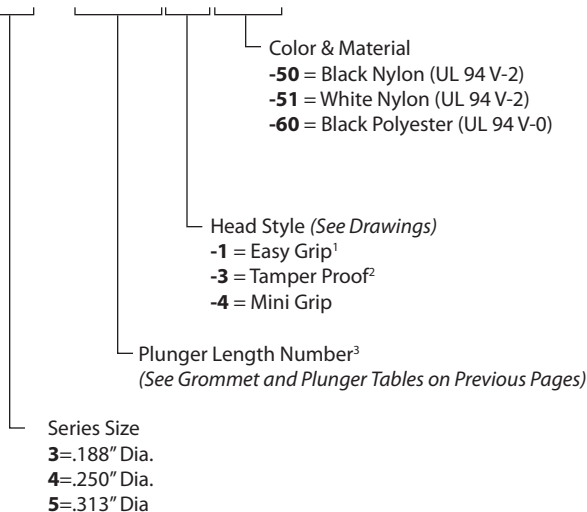
NY-WG-XX-YY



Note: Call Southco for other materials and/or materials.

Plunger Part Numbers

NY-WP-XX-Z-YY



Notes:

1. Available on .313" Dia. size plungers only.
2. Tamper-proof head style is not available for plungers of all lengths. Verify that tamper-proof is an available head style in the table at right before selecting this option.
3. You must use the Plunger Number which corresponds to the applicable Grommet. See Grommet and Plunger Tables.

All dimensions on this page are in inches.