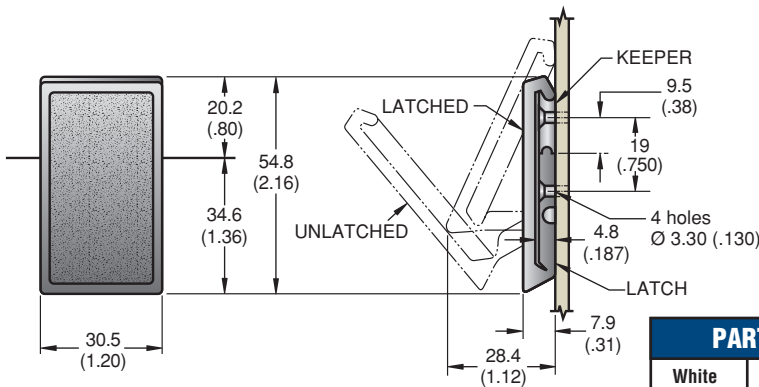


# Southco® Draw Latches

## Living Hinge Series

- Draws edge-mating panels together
- All mounting hardware is concealed when latched



PART NUMBER	
White	07-10-201-11 •
Black	07-10-201-12 •



Living Hinge Draw Latches flip open, snap shut; hold edge-mating parts in three planes. These clean decorative latches are molded of polypropylene in one piece with integrally hinged sections (no pins). Supplied with mating keeper.

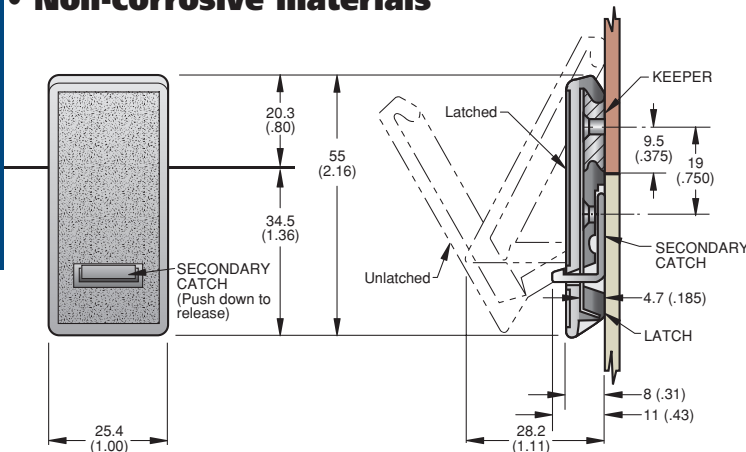
### Material and Finish

LATCH and KEEPER: Polypropylene, black or white.

CATCH (Secondary Catch Series): Acetal, (see table for color.)

## Living Hinge Series, with Secondary Catch

- Secondary catch offers added security
- Non-corrosive materials



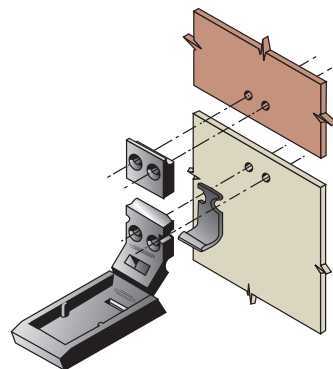
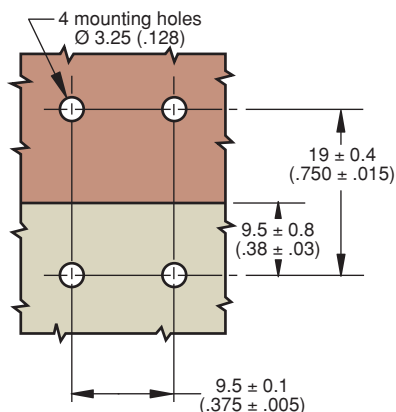
SECONDARY CATCH COLORS	LATCH ASSEMBLY PART NUMBERS
RED	07-10-501-70 •
BLACK	07-10-501-72 •

### Custom Colors!

No. 07 Draw Latches on special order; you supply color chip. Contact Southco for details.

## Installation

1. Prepare panel.
2. Nest secondary catch into base of latch.



3. Install assembly with four Ø 3 (.125) countersunk head rivets or M3 (No. 4) flat head screws (not supplied).

## Product Strength Guidelines

(To assist in your product selection; samples are available for your evaluation.)

### Maximum working load:

- Living Hinge: 445 N (100 lbs.)
- Living Hinge with Secondary Catch: 310 N (70 lbs.)

### Average ultimate load:

- Living Hinge: 670 N (150 lbs.)
- Living Hinge with Secondary Catch: 550 N (125 lbs.)

### Flammability Rating: UL94-HB

### Operating Temperature Range:

0°C (32°F) to 65°C (150°F)

millimeter (inch)  
millimeter  
(inch)

Dimensions without tolerances are for reference only.

Draw Latches Plastic