

# Southco® Handles and Pulls

## Grab Handle, Small Size

- Easy to pull or hold
- Front or rear mounting options
- All hardware is concealed



Made of tough, high-impact ABS. It's sleek, rugged, durable, lightweight.

### Material and Finish

HANDLE: ABS, black.  
SCREW/LOCKWASHER ASSEMBLIES: SCREWS are 1010 steel, zinc plated. LOCKWASHERS are spring steel, zinc plated.

### Installation

Maximum tightening torque of screws: *Rear mount only* 4.0 N•m (35 in.-lbs.)

### Product Strength Guidelines

(To assist in your product selection; samples are available for your evaluation.)

#### Maximum static load:

550 N (125 lbs.)

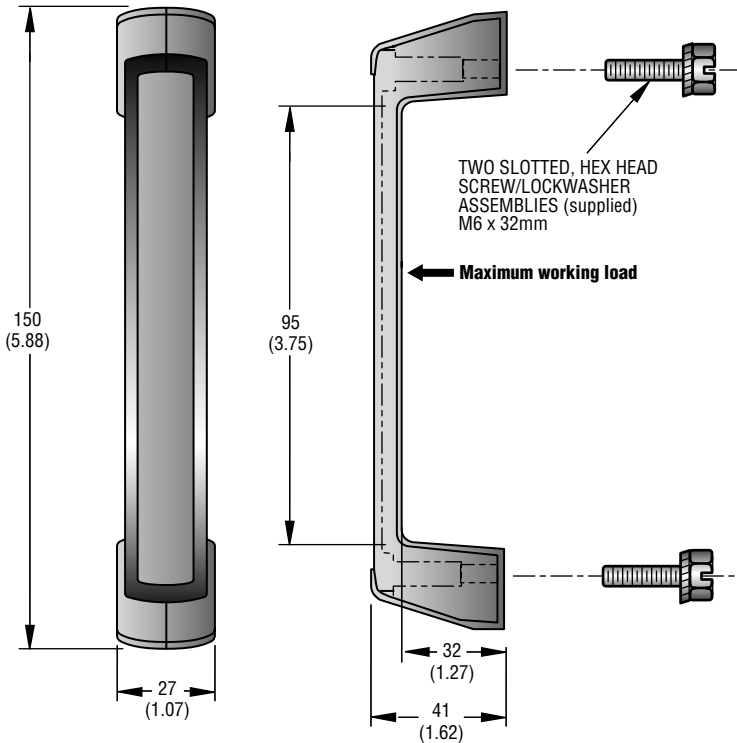
#### Flammability Rating: UL 94 - HB

#### Operating Temperature Range:

-50°C (-60°F) to 60°C (140°F)

millimeter (inch)  
millimeter (inch)

Dimensions without tolerances are for reference only.



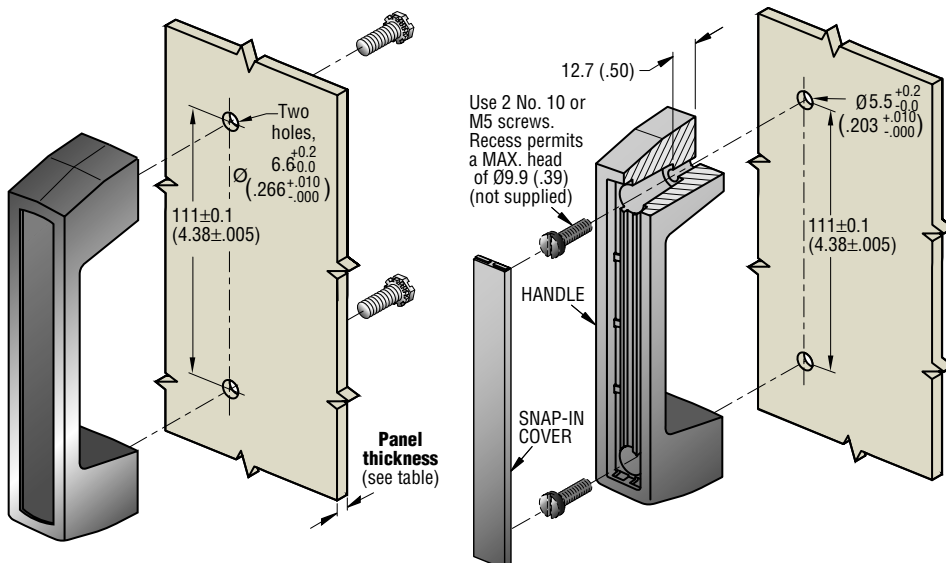
PART NUMBERS		MAX. material thickness (rear mount only)
Rear mount	Front mount	
B8-45-3 •	B8-43-3 •	16.0 (.63)

Handles are packaged bulk. Larger size handle available. Contact Southco for details.

### Installation

#### Rear mounted handle

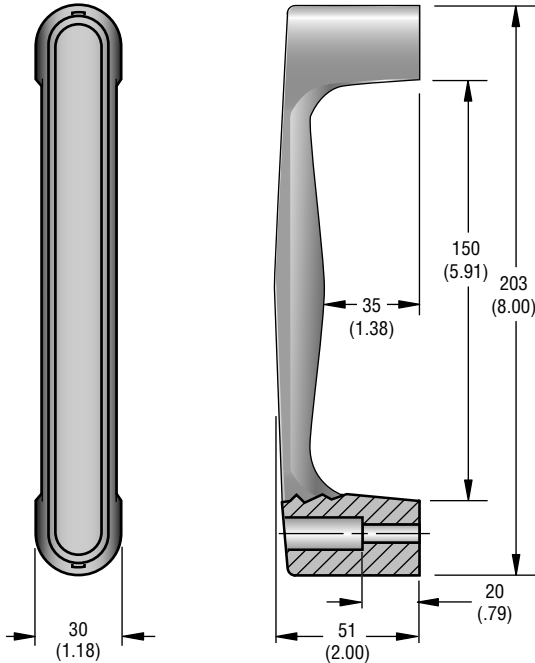
#### Front mounted handle (smaller size only)



# Southco® Handles and Pulls

## Grab Handle, Large Size

- Handle design combines comfort with strength
- Snap-on cover conceals mounting hardware
- Front or rear mounting options



PART NUMBERS		Max. Panel Thickness (Rear Mount Only)
Front Mount	Rear Mount	
B8-63-3 •	B8-66-3 •	19 (.75)

Handles are packaged bulk.

Personalize the snap-on cover with custom colors or your logo.

Contact Southco for details.



### Material and Finish

HANDLE and COVER: ABS/PC, black.  
SCREWS: 1022 steel, zinc plate plus chromate dip.  
(rear mount only)

### Product Strength Guidelines

(To assist in your product selection; samples are available for your evaluation.)

#### Maximum static load:

775 N (175 lbs.)

#### Flammability Rating: UL 94 - HB

#### Operating Temperature Range:

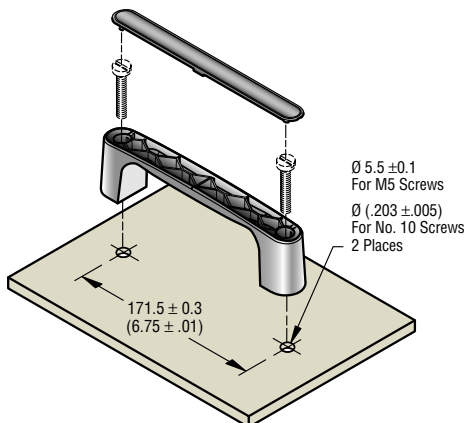
-40°C (-40°F) to 60°C (140°F)

\*Maximum tightening torque of screws: 4 N•m (35 in.- lbs.)  
(rear mount only)

## Installation

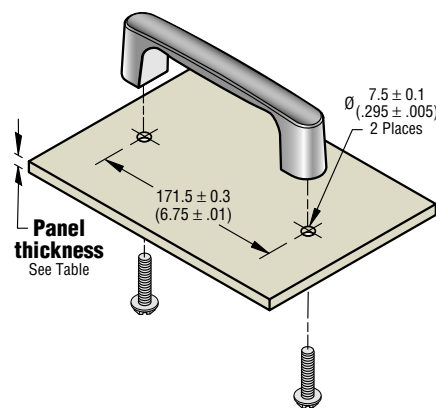
### Front Mount

1. Prepare holes as shown.
2. Mount handle using M5 or No. 10 screws (not supplied), having maximum head size of  $\varnothing 10.5$  (.41)
3. Snap cover onto handle.



### Rear Mount

1. Prepare clearance holes as shown.
2. Mount handle using two 35 (1.38) long thread forming screws, supplied.\*



millimeter (inch)  
millimeter (inch)

Dimensions without tolerances are for reference only.