

Southco® Handles and Pulls

- **Lightweight**
- **Easy installation**
- **Four sizes/styles**



Material and Finish

6063 Aluminum, black or clear anodized.

Installation

Screw length = Thickness of panel plus 9.5 (.38).

Attach with No. 8-32 or M4 x 0.7 screws (not supplied).

NOTE: Center screw may be eliminated if desired (200, 300 and 400 Series).

Product Strength Guidelines

(To assist in your product selection; samples are available for your evaluation.)

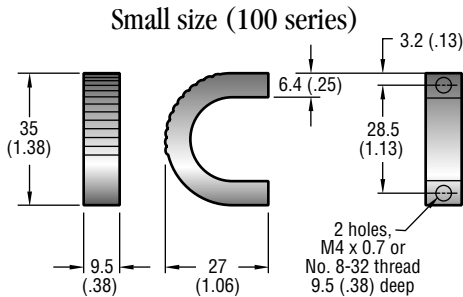
Maximum static load:
5560 N (1250 lbs.)

Average ultimate load:
9340 N (2100 lbs.)

Maximum recommended tightening torque of mounting screws:
2.3 N•m (20 in.-lbs.)

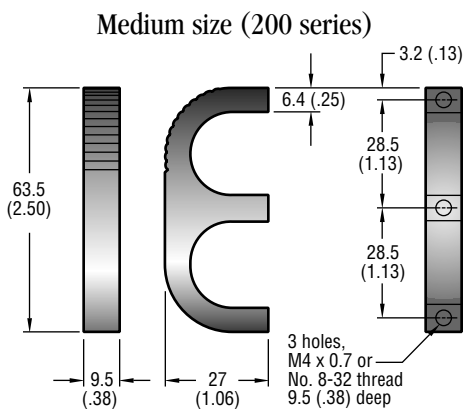
millimeter (inch)
millimeter
(inch)

Dimensions without tolerances are for reference only.



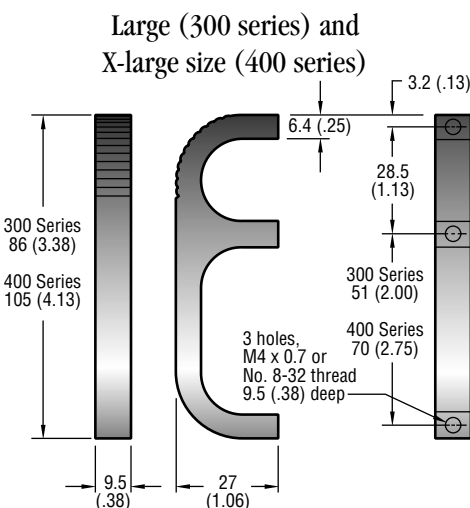
Thread series	PART NUMBERS (Layer packed) †.	
	Black anodized	Clear anodized
Imperial	B4-10-103-15-3 •	B4-10-103-11-3 •
Metric	B4-50-103-15-3 •	B4-50-103-11-3 •

† For individually packaged handles drop the last digit. Ex. B4-10-103-11



Thread series	PART NUMBERS (Layer packed) †.	
	Black anodized	Clear anodized
Imperial	B4-10-203-15-3 •	B4-10-203-11-3 •
Metric	B4-50-203-15-3 •	B4-50-203-11-3 •

† For individually packaged handles drop the last digit. Ex. B4-10-203-11



Thread series	PART NUMBERS (Layer packed) †.	
	Black anodized	Clear anodized
300 SERIES		
Imperial	B4-10-303-15-3 •	B4-10-303-11-3 •
Metric	B4-50-303-15-3 •	B4-50-303-11-3 •

300 SERIES		
Imperial	B4-10-303-15-3 •	B4-10-303-11-3 •
Metric	B4-50-303-15-3 •	B4-50-303-11-3 •

Thread series	PART NUMBERS (Layer packed) †.	
	Black anodized	Clear anodized
400 SERIES		
Imperial	B4-10-403-15-3 •	B4-10-403-11-3 •
Metric	B4-50-403-15-3 •	B4-50-403-11-3 •

400 SERIES		
Imperial	B4-10-403-15-3 •	B4-10-403-11-3 •
Metric	B4-50-403-15-3 •	B4-50-403-11-3 •

† For individually packaged handles drop the last digit. Ex. B4-10-303-11