

Inspection tables


Material:

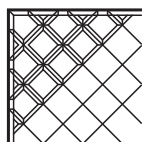
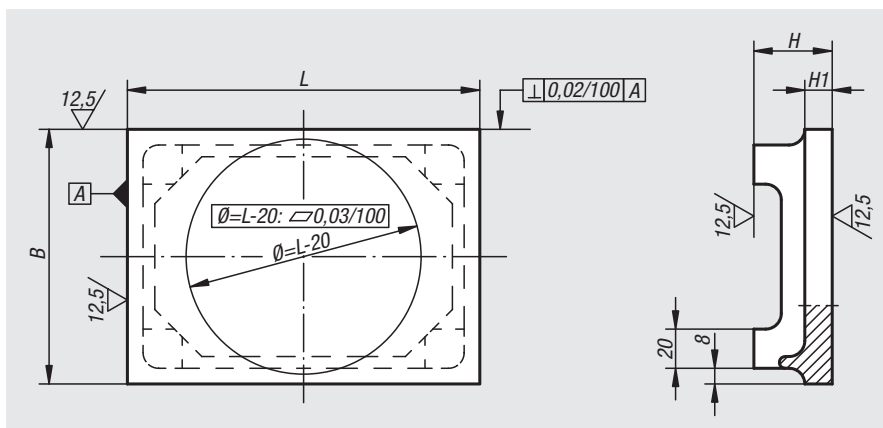
GJL 250 annealed.

Sample order:

nIm 31000-03

Note:

Plate surface with dust grooves on request.



Order No.	L	B	H	H1
31000-01	200	150	45	15
31000-02	250	200	45	15
31000-03	300	200	45	15
31000-04	350	250	45	15
31000-05	350	300	45	15
31000-06	400	350	60	20

31020

Inspection blocks

with column

Material:

Black granite (primary stone).

Version:

Block precision grade 0

Sample order:

nIm 31020-01

Note:

Primary stone has major benefits over conventional granite:

- 3 times more wear resistance.
- 20% greater density.
- 3 times less heat expansion.

Suitable dial gauge holders see 31140 and 31141.



Order No.	Base plate length x width x height	column
31020-01	200 x 150 x 40	ø25 x 260

Support cylinders

for workpieces with collar

Material:

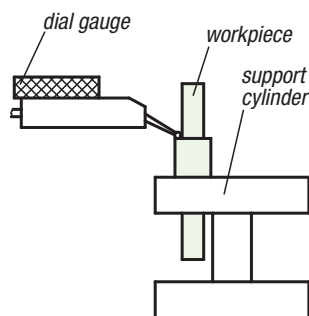
Hardened steel

Version:

Ground

Sample order:

nIm 31090-111



Order No.	Hole diameters	Diameter increments	No off holes	Parallelism of contact faces	Distance between contact faces
31090-111	1 - 11	0,5	21	< 0,01	46
31090-220	2 - 20	1	19	< 0,01	52

31100

Gauge holders articulated arm

with central hydraulic lock

Sample order:

nIm 31100-12

Note:

The 4-part articulated arm is locked by the centre knob. Including screw for fine adjustment.



Order No.	Total height	Effective radius	Magnetic base length	Magnetic base width	Magnetic base height	Magnetic force N
31100-01	310	260	61	50	55	600
31100-02	480	400	76	50	55	900

Order No.	Version	Connecting thread	Total height	Effective radius
31100-11	without magnetic base	M8x8	255	260
31100-12	without magnetic base	M10x11	425	400

Gauge stands magnetic

Sample order:

nlm 31102-01

Note:

Base 900 N magnetic force.



Order No.	Total height	Column height	Ø column	Magnetic base length	Magnetic base width	Magnetic base height	Connecting thread	Magnetic force N
31102-01	287	232	16	76	50	55	M10	900

Magnetic stands

Sample order:

nlm 31120-01

Note:
Magnetic base with On/Off switch
(see also 09210-03)

Order No.	Total height	Column height	Ø column	Magnetic base length	Magnetic base width	Magnetic base height	Connecting thread	Magnetic force N
31120-01	287	232	16	76	50	55	M10	900

Magnetic stands

Version:

Magnetic base: shielded system, surface galvanized

Sample order:

nIm 31125-01

Note:

Magnetic force 450 N. Application temperature up to 100 °C. Hairline cracks in the magnetic material are unavoidable for technical reasons. They do not impair the function of the magnets in any way. (see also 09065-10).



Order No.	Total height	Column height	Ø column	Magnetic base Ø	Magnetic base height	Magnetic stand overall height	Connecting thread
31125-01	284	250	16	80	18	34	M10

31130

Dial gauge arms

Sample order:

nIm 31130-01

Note:

With screw for fine adjustment.



Order No.	total length	Ø of column or bar	Fixation holes, e.g. for dial gauge
31130-01	270	16	3 x Ø 8

Dial gauge holders

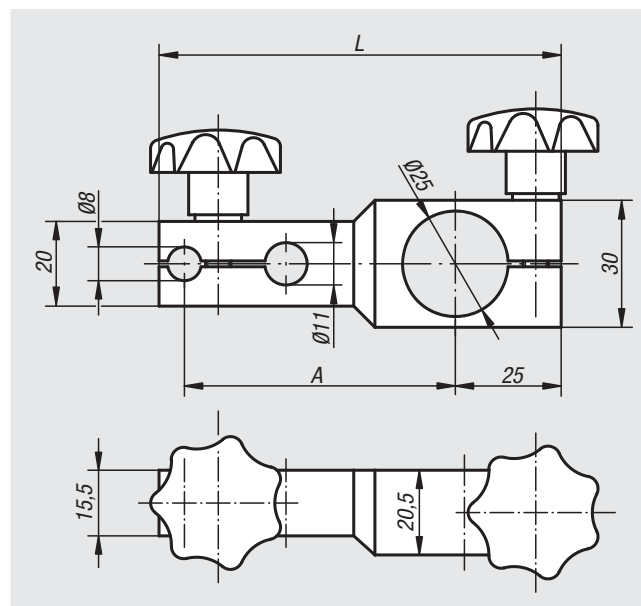


Material:
Aluminium.

Version:
Black anodized

Sample order:
nlm 31140-065

Note:
Fits on 31020.



Order No.	A	L
31140-065	65	95
31140-100	100	130

31141

Dial gauge holders

with fine adjustment

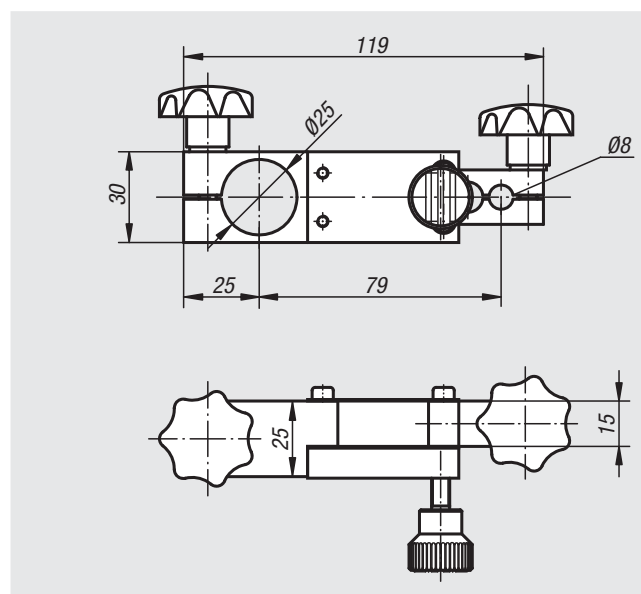


Material:
Aluminium.

Version:
Black anodized

Sample order:
nlm 31141-079

Note:
Fits on 31020.



Order No.	Dimensions
31141-079	see drawing

31150

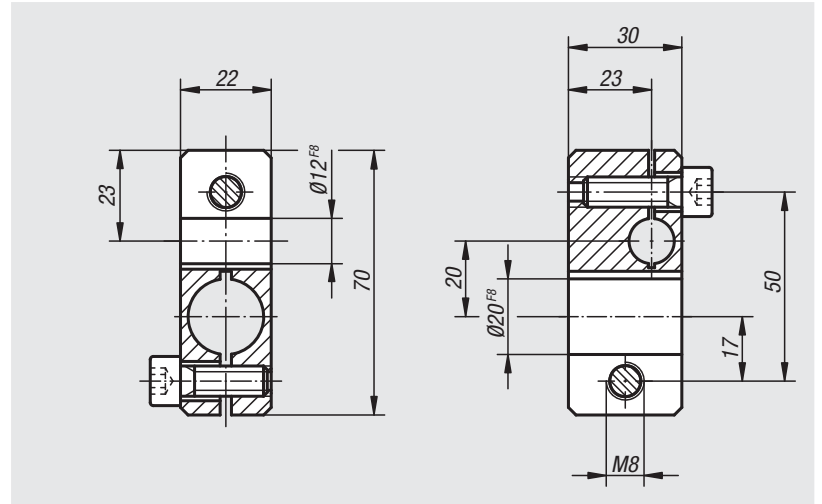
Joint blocks



Material:
Carbon steel.

Version:
Black oxidised.

Sample order:
nlm 31150-1220



Order No.	Dimensions
31150-1220	see drawing

31152

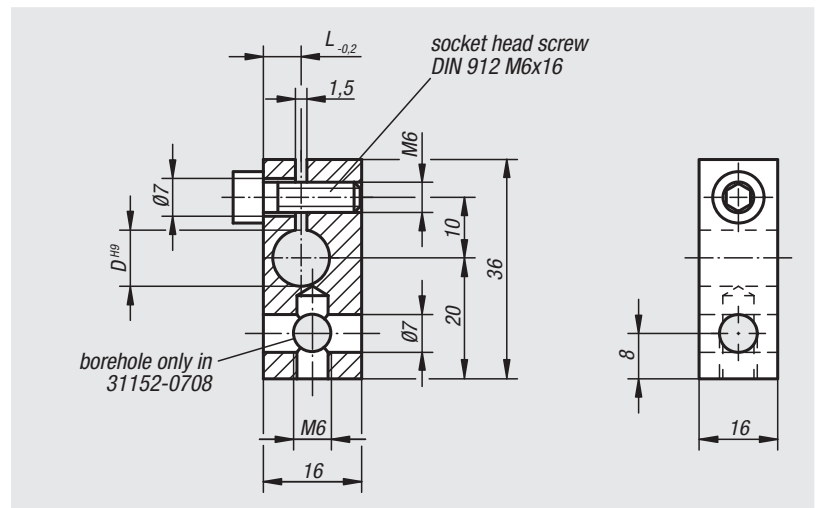
Joint blocks



Material:
Carbon steel.

Version:
Black oxidised.

Sample order:
nlm 31152-0712



Order No.	D	L
31152-0708	8	5
31152-0710	10	6
31152-0712	12	7

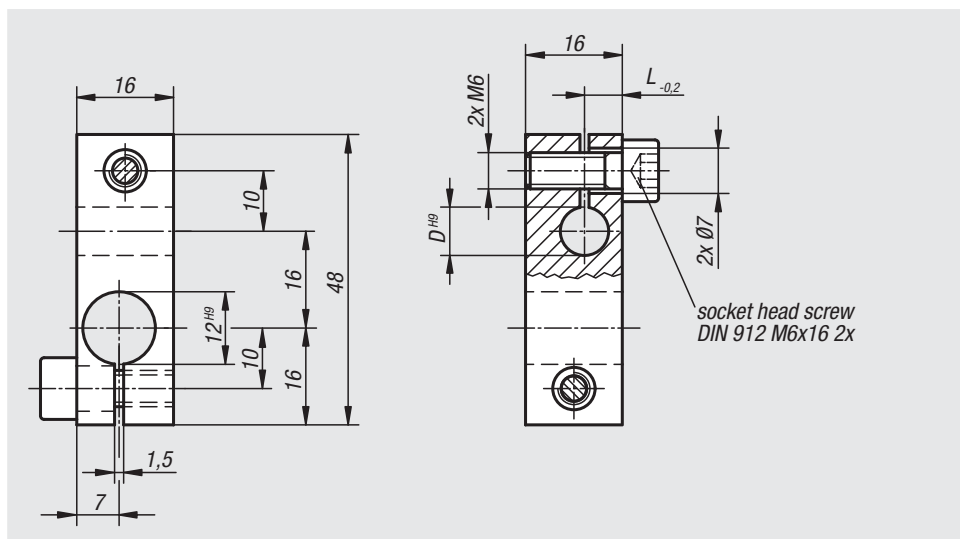
Joint blocks



Material:
Carbon steel.

Version:
Black oxidised.

Sample order:
nlm 31154-1210



Order No.	D	L
31154-1208	8	5
31154-1210	10	6
31154-1212	12	7

31156

Clamping joints



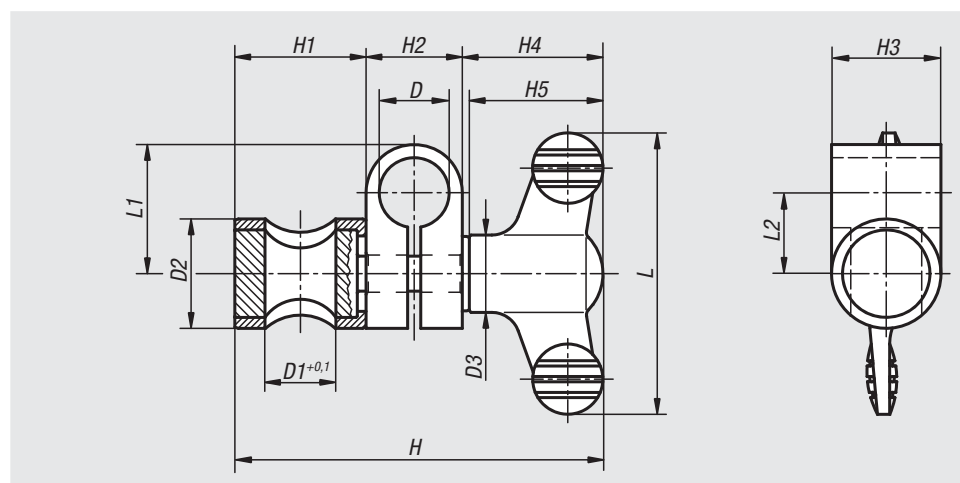
Material:
Sleeve and pin steel.
Clamp block high-strength aluminium.
Wing grip black grey thermoplastic.

Version:
Sleeve and pin high-gloss chromed.
Clamp block black anodized.

Sample order:
nlm 31156-1616

Note:
Infinitely adjustable.
Wing grip for rapid clamping.

On request:
Different combinations diameters D and D1.



Order No.	Size	D	D1	D2	D3	H	H1	H2	H3	H4	H5	L	L1	L2
31156-0606	1	6	6	14	12	43,6	15	9	14	19,6	18	38	13	8,5
31156-0808	2	8	8	16	14	54,6	17	12	16	25,6	24	50	18	12
31156-1010	3	10	10	18	14	60,6	20	15	18	25,6	24	50	22	14,5
31156-1212	4	12	12	20	21	77,2	23	17	20	37,2	35,6	75	24	15,5
31156-1616	5	16	16	25	21	90,2	31	22	25	37,2	35,6	75	29,5	18,5
31156-2020	6	20	20	30	21	98,2	36	25	30	37,2	35,6	75	30	17,5