

## Stainless Steel 316

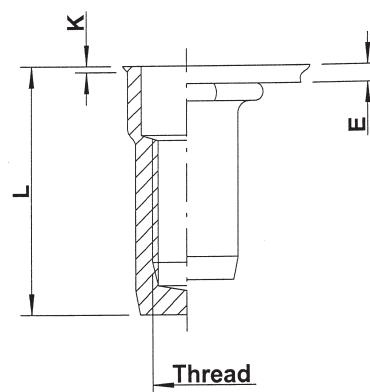
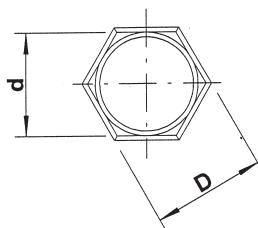
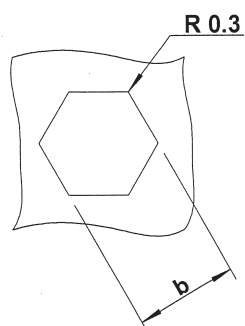
(contains Molybden)

Low profile head  
Semi-hexagonal shank  
Closed

extra high  
corrosion resistance



**HUKX**



Stainless steel

THREAD	TYPE	E = grip	L	b <sup>+0,1</sup> = hex hole	d = hex shank	D = hex head	K	kg/1000	ORDER CODE
M4	HUKX20	0,5-2,0	15,5	6,0	6,0	6,5	0,5	1,8	554 620
M5	HUKX30	0,5-3,0	18,0	7,0	7,0	7,5	0,5	2,7	555 620
M6	HUKX30	0,5-3,0	21,5	9,0	9,0	9,5	0,5	5,7	556 540
M8	HUKX30	0,5-3,0	24,0	11,0	11,0	11,5	0,5	8,7	558 320

Availability: please contact our Sales Department

All dimensions in mm  
Technical data subject to modification

