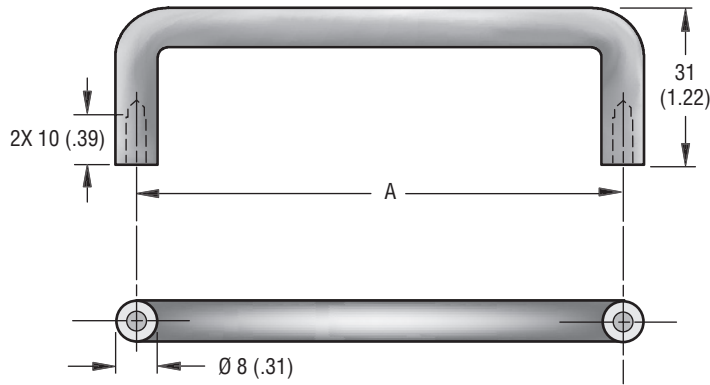


Southco® P8 Handle Surface Mount, Wire

- Easy installation, metric or imperial threads
- Two standard finishes
- Four standard lengths –
30mm (1.18 inches) to 128mm (5.04 inches)



Material and Finish

HANDLE: Aluminum, black or clear anodized

Installation

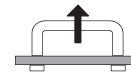
Screw length = thickness of panel plus 5mm (.20 in.)

Attach with M4 or 8-32 screws (not supplied)

NOTE: Maximum tightening torque of mounting screws: 170 N•cm (15 in.-lbf.)

Product Strength Guidelines

(To assist in your product selection; samples are available for your evaluation.)



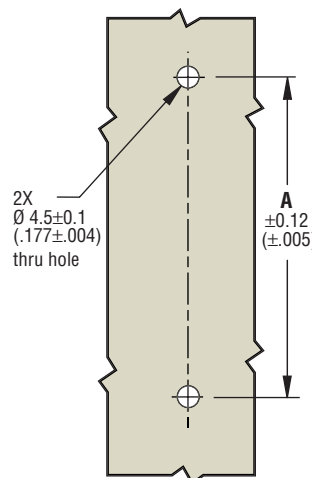
Maximum working load: 1500 N (335 lbf.)

Available in stainless steel, custom sizes and finishes, call Southco for details.

For visual identification: M4 products are countersunk, and 8-32 products are countersunk.

THREAD SIZE	LENGTH A	PART NUMBERS	MATERIAL FINISH
M4	30 (1.18)	*P8-030-31-M4-11-3 •	Clear Anodized
	64 (2.52)	*P8-064-31-M4-11-3 •	
	96 (3.78)	*P8-096-31-M4-11-3 •	
	128 (5.04)	*P8-128-31-M4-11-3 •	
M4	30 (1.18)	*P8-030-31-M4-15-3 •	Black Anodized
	64 (2.52)	*P8-064-31-M4-15-3 •	
	96 (3.78)	*P8-096-31-M4-15-3 •	
	128 (5.04)	*P8-128-31-M4-15-3 •	
8-32	30 (1.18)	*P8-030-31-08-11-3 •	Clear Anodized
	64 (2.52)	*P8-064-31-08-11-3 •	
	96 (3.78)	*P8-096-31-08-11-3 •	
	128 (5.04)	*P8-128-31-08-11-3 •	
8-32	30 (1.18)	*P8-030-31-08-15-3 •	Black Anodized
	64 (2.52)	*P8-064-31-08-15-3 •	
	96 (3.78)	*P8-096-31-08-15-3 •	
	128 (5.04)	*P8-128-31-08-15-3 •	

Panel preparation



*NOTE: Layer packed, sold in boxed quantities which vary by length.

30mm= 1000 per box 64mm= 600 per box
96mm= 400 per box 128mm= 400 per box

For individually packaged handles, drop the last digit, For example: **P8-030-31-M4-11**.

- Products identified with this symbol are stocked subject to prior sale in one or more of our global locations. If unavailable from our facility nearest you, allow for shipping time from another facility.

millimeter (inch)
millimeter (inch)

Dimensions without tolerances are for reference only.