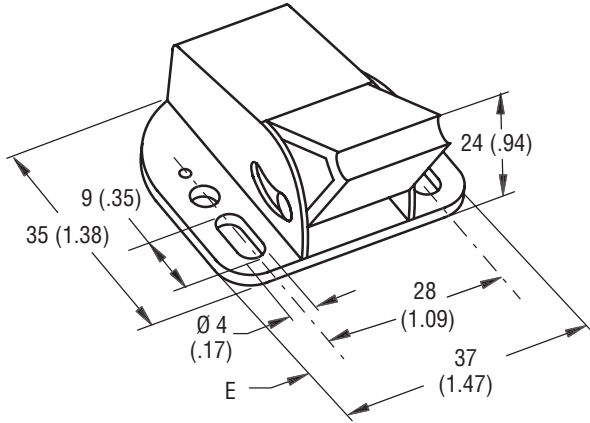


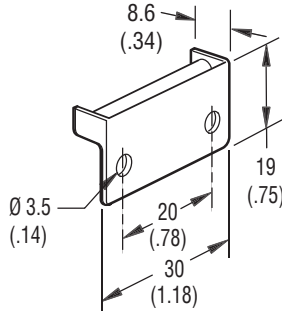
Southco® Snappy MT Push-to-Close Latch Concealed

- Over-center latching for vibration resistance
- Self-adjusting cam accommodates misalignment
- All corrosion resistant material

Catch



Keeper



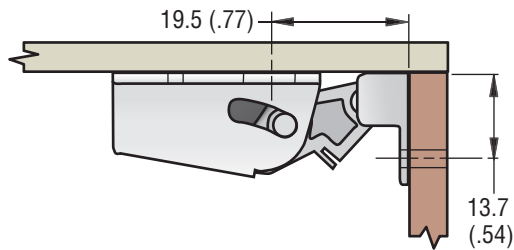
Push-to-Close Latches

Material and Finish

HOUSING, CAM, GUIDE AND KEEPER:
Nylon, white
SPRING: 300 series stainless steel,
passivated

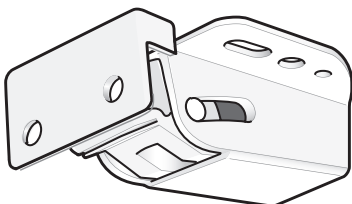
COLOR	PART NUMBER
White	MT-01-10-7

Panel Preparation

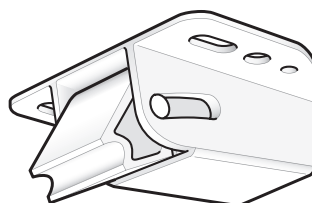


Operation

Closed



Open



millimeter (inch)
millimeter
(inch)

Dimensions without tolerances are for reference only.