

Southco® T9 Push-to-Close Latch Concealed, Detent Cabinet Catches

southco®

Push-to-Close Latches



T9-10 cabinet catches offer benefits over multi-component catches. Both catches are molded from Acetal and their keepers from Nylon for high reliability of 50,000+ cycles. Applications include home, marine, RV cabinetry and a range of light OEM enclosures.

- Easy installation and alignment
- Adjustable closing pressure
- Non-corrosive and non-conductive
- Catch and strike are molded in one piece
- Rated at 50,000 cycles. Tested to 100,000 with minimum wear
- Very light weight-to-strength ratio

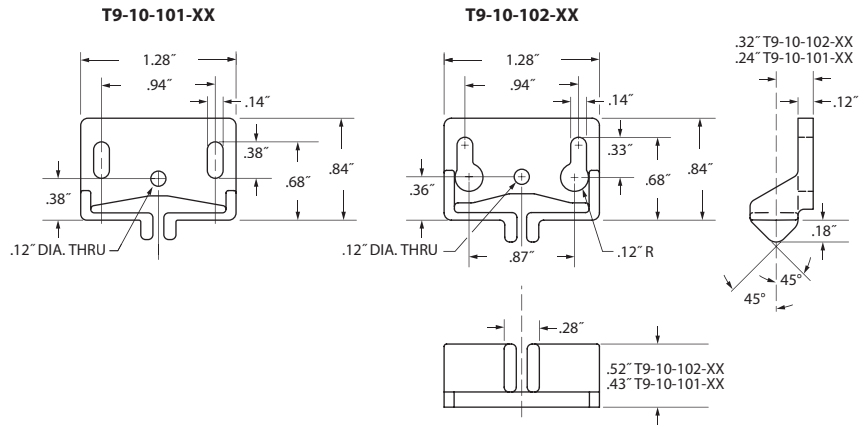
Material and Finish

Catches: Acetal

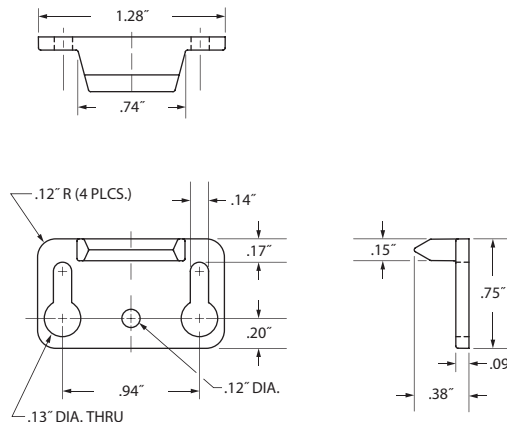
Strikes: Nylon

Finish: Black or white color

Catches



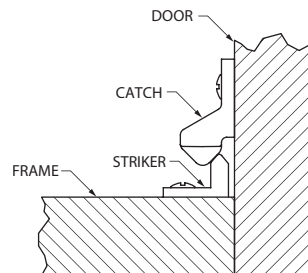
Keeper



Detent Cabinet Catch Part Numbers:

	Mounting Holes	
	Slots	Keyhole
Black	T9-10-101-50	T9-10-102-50
White	T9-10-101-70	T9-10-102-70

Installation

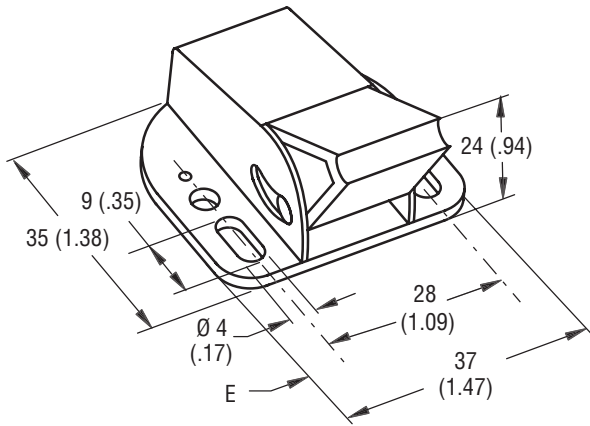


All dimensions on this page are in inches.

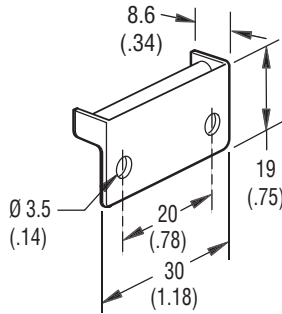
Southco® Snappy MT Push-to-Close Latch Concealed

- Over-center latching for vibration resistance
- Self-adjusting cam accommodates misalignment
- All corrosion resistant material

Catch



Keeper



COLOR	PART NUMBER
White	MT-01-10-7

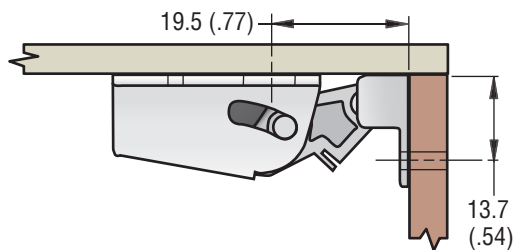


Push-to-Close Latches

Material and Finish

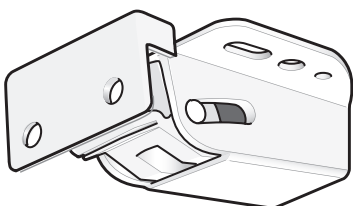
HOUSING, CAM, GUIDE AND KEEPER:
Nylon, white
SPRING: 300 series stainless steel,
passivated

Panel Preparation

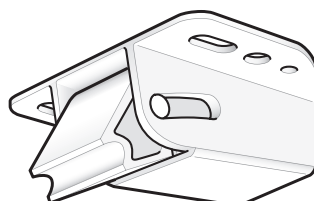


Operation

Closed



Open



millimeter (inch)
millimeter
(inch)

Dimensions without tolerances are for reference only.



500 Series Part Numbers

Part Number	
Catch and Keeper	T9-20-501-20
Catch Only	T9-21-501-20
Keeper Only	T9-27-501-20

800 Series Part Numbers

Part Number	
Catch and Keeper	T9-20-801-20
Catch Only	T9-21-801-20
Keeper Only	T9-27-801-20

All dimensions on this page are in inches.

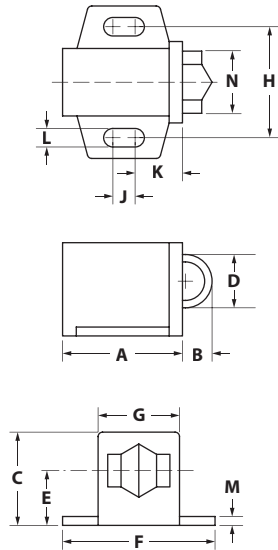
900 Series Part Numbers

Part Number	
Catch and Keeper	T9-20-901-20
Catch Only	T9-21-901-20
Keeper Only	T9-27-901-20

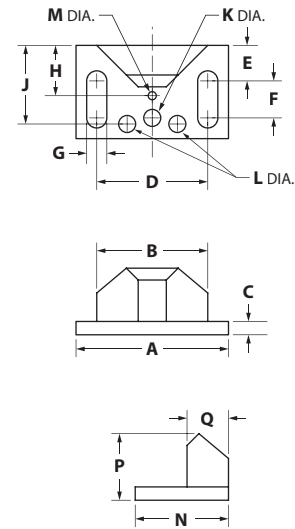
T9-20 Series Roller Catches are designed for reduced opening and closing force on small cabinet doors. They are non-corrosive and non-conductive and feature stainless steel springs for durability. They are available in various sizes and mounting styles. Applications include: home, marine, RV and OEM enclosures.

- Easy to install
- Attractive sanitary white finish
- Reduces opening and closing force
- Durability and smooth easy operation
- Available with or without strike
- Non-corrosive, non-conductive

500 and 800 Series Catch



500 and 800 Series Keeper



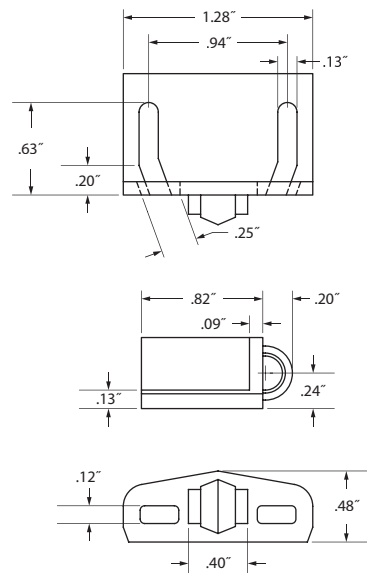
500 and 800 Series Catch Dimensions

Size	A	B	C	D	E	F	G	H	J	K	L	M	N
500	.81"	.2"	.63"	.36"	.37"	1.03"	.55"	.75"	.15"	.32"	.13"	.06"	.42"
800	1.19"	.3"	.87"	.53"	.53"	1.38"	.72"	1.00"	.22"	.48"	.15"	.10"	.60"

500 and 800 Series Keeper Dimensions

Size	A	B	C	D	E	F	G	H	J	K	L	M	N	P	Q
500	1.03"	.75"	.09"	.75"	.24"	.25"	.136"	.34"	—	.115"	—	.055"	.63"	.45"	.28"
800	1.38"	1.0"	.10"	1.0"	.36"	.19"	.156"	—	.59"	—	.11"	—	.81"	.55"	.34"

900 Series Catch



900 Series Keeper

