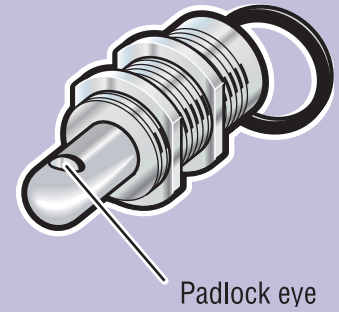


Southco® Push to Close Latch

Pin Latch

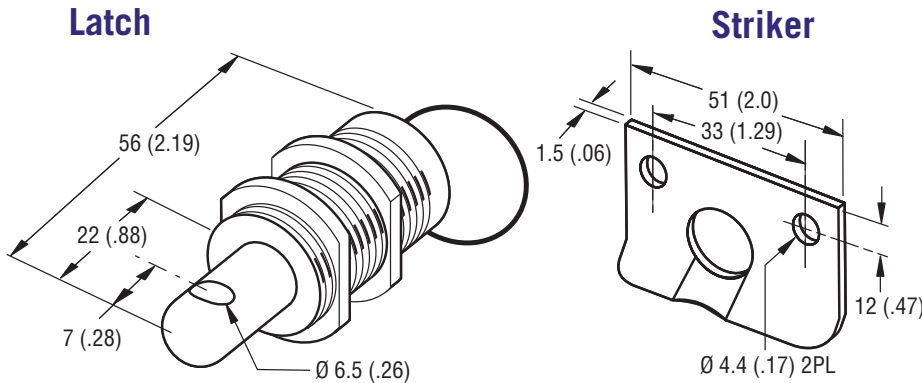
- All Stainless Steel materials for superior corrosion resistance
- Padlock eye and ring for added security
- Robust construction for demanding applications



Padlock eye

Material and Finish

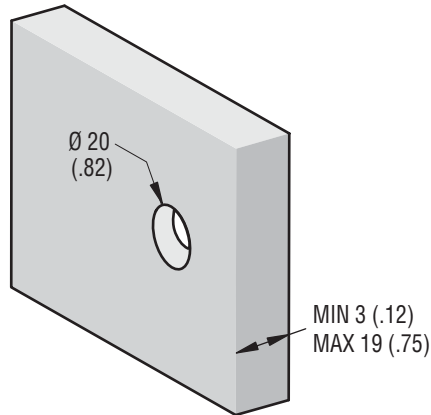
LATCH and KEEPER: 300 series stainless steel, passivated.



PART NUMBER

MT-04-11-24

Panel Preparation



millimeter (inch)
millimeter
(inch)

Dimensions without tolerances are for reference only.

southco®
CONNECT · CREATE · INNOVATE

www.southco.com
E-mail: info@southco.com

Management Systems
ISO 9001:2000
ISO / TS 16949

Australia
Tel: (61) 3 9335 4335

Austria
Tel: 0800 281 831

Canada
Tel: (1) 905 855 0309

China
Tel: 800 820 0272

France
Tel: 0800 912 756

Germany
Tel: 0800 1800 380

Hong Kong
Tel: 001 852 3127 1503

Italy
Tel: 800 780 953

Korea
Tel: 0505 777 1234

Malaysia
Tel: 1800 801 119

Mexico
Tel: 001 877 821 0666

Singapore
Tel: 800 18 11016

Spain
Tel: 900 968917

Sweden
Tel: 020 790 366

Taiwan
Tel: 0 080 113 9582

United Kingdom
Tel: (44) (0) 1452 715454

United States
Tel: (1) 610 459 4000

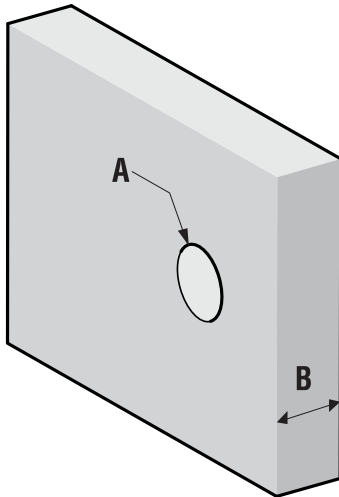
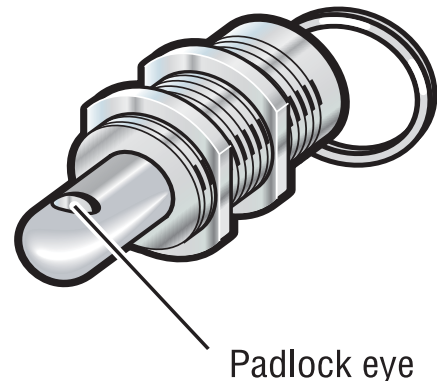
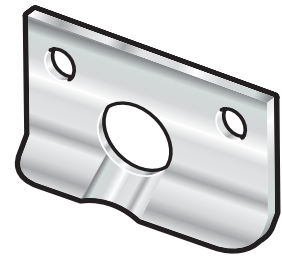
Authorized Southco Distributors located in: Australia, Austria, Canada, Czech Republic, Denmark, Finland, France, Germany, Hungary, Ireland, Israel, Italy, Japan, Korea, Malaysia, Mexico, Netherlands, New Zealand, Norway, Poland, Portugal, Singapore, Spain, Sweden, Switzerland, Taiwan, Turkey, United Kingdom and United States.

For information regarding Southco and Authorized Distributors please visit www.southco.com

PIN LATCH Panel Latch

DOOR THICKNESS RANGE: 3 – 19mm (1/8” – 3/4”)
 The Pin-Latch compartment latch is designed for concealed latching of cabinets and compartments. It features:

- All Marine-grade Stainless Steel materials for superior corrosion resistance
- Padlock eye and ring for added security
- Assembly includes latch and striker plate



	Imperial		Metric
	Nominal	Decimal	
Ø A	13/16	.812	20
B	min.	1/8	3
	max	3/4	.750

PIN PART NUMBER	
Door thickness 3 - 19 mm (1/8 - 3/4")	MT-04-11-24

Application

