

SUNDECKER Panel Latch

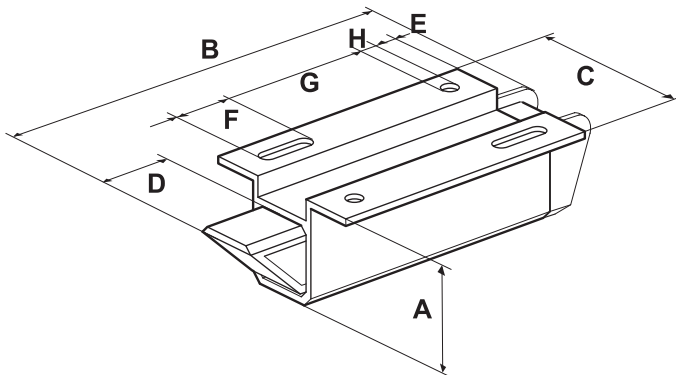
PULLING FORCE: 270kg (600 lb)

The Sundecker is a slam latch with pull release. Use it on sundeck hatches and platforms to keep sundeck or hatch latched. Simply pull the strap to release. The Sundecker, with a loop strap, can be installed almost anywhere on the deckside; it can even be incorporated into upholstery.

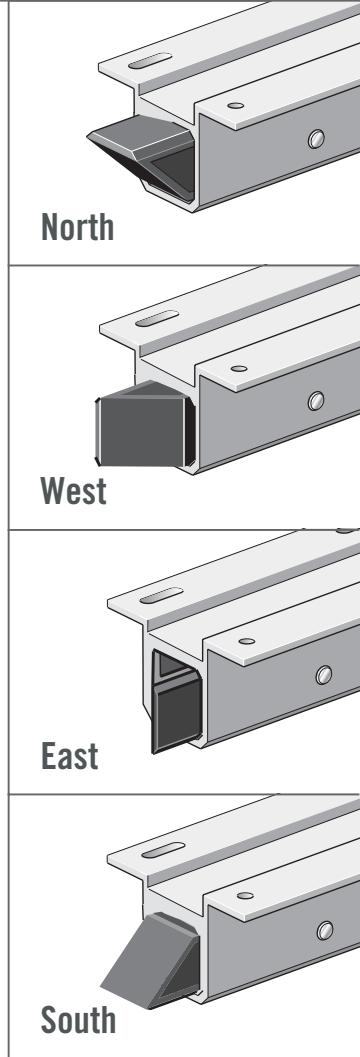
- Fast, easy installation
- Assembly includes striker and strap protector
- Orient the release in multiple ways

Available Options:

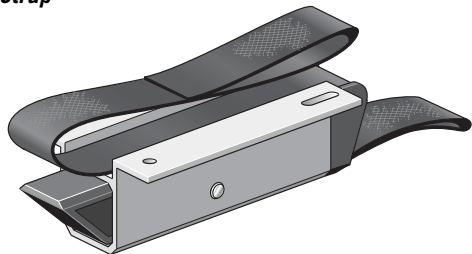
Release: Choose from a 1 meter (39") strap release or with eyelet for cable release.



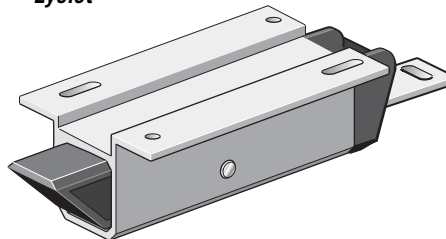
	Imperial		Metric
	Nominal	Decimal	
A	1 3/16	1.181	30
B	4 17/32	4.528	115
C	2 3/32	2.087	53
D	3/4	.75	19
E	15/64	.236	6
F	9/16	.567	14
G	2 7/64	2.11	53
H	3/16	.177	4.5



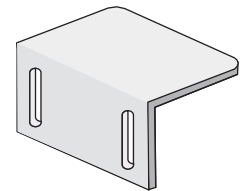
Strap



Eyelet



Striker



SUNDECKER PART NUMBERS		
	Strap	Eyelet
West	MT-03-13-5	MT-03-23-5
East	MT-03-12-5	MT-03-22-5
South	Mt-03-11-5	Mt-03-21-5
North	Mt-03-10-5	Mt-03-20-5

Operation

Protection for sharp corners prevents excessive wear of the strap

