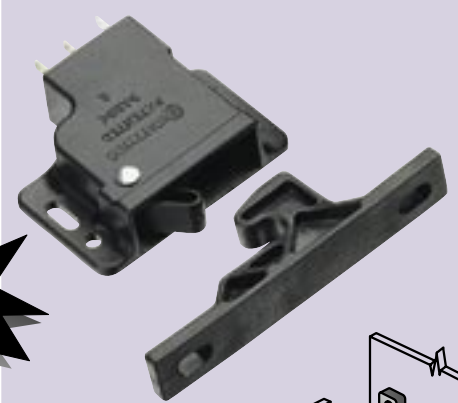


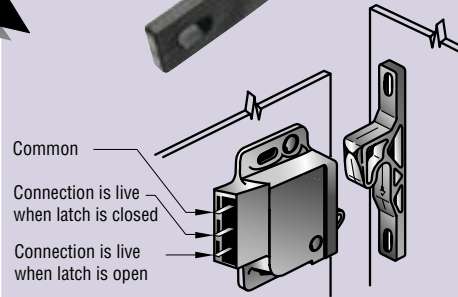
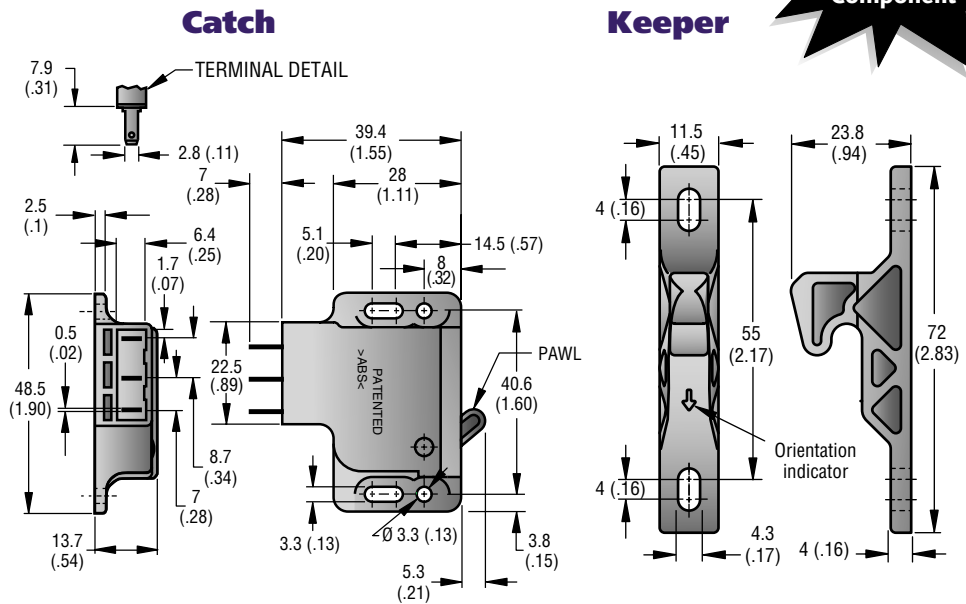
Southco® Push to Close Latches

Grabber Catch with Integral Microswitch

- Pull to open
- Opens and closes switch contacts with door operation
- One assembly includes catch and switch
- All plastic materials meet UL94-V0 rating
- Spring-loaded over-center latching
- Choice of three pull-up forces

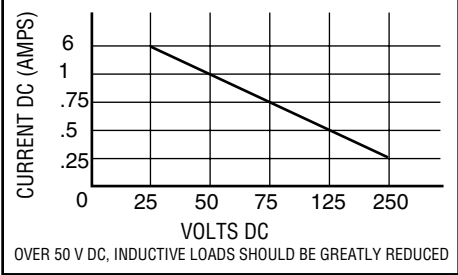


Push to Close Latches
Concealed



Right side installation shown.
Invert catch and keeper for left side installation.

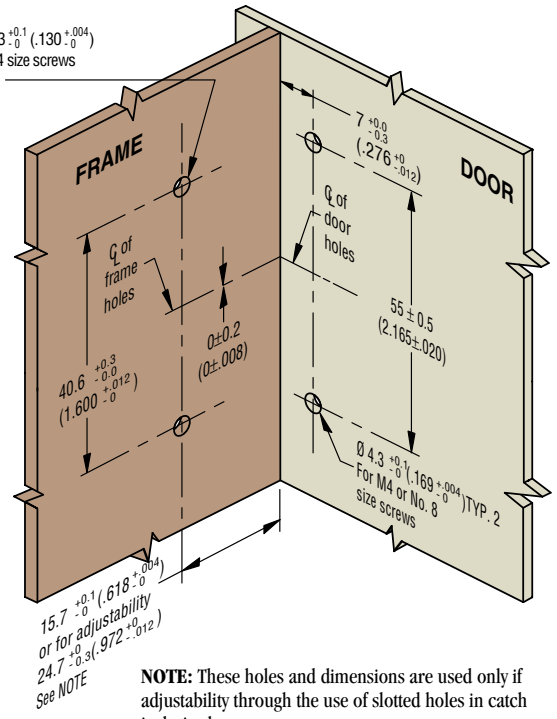
SWITCH SPECIFICATION. SUBMINIATURE VDE, UL APPROVED. SWITCH IS FITTED WITH FAST-ON TERMINALS. MAX AC VOLTAGE 250V, MAX AC CURRENT 6A. SEE GRAPH BELOW FOR DC RESISTIVE LOAD.



THIS PRODUCT IS SPECIFICALLY DESIGNED TO BE USED AS A MECHANICAL GRABBER CATCH WITH AN ELECTRIC SWITCH. THE SWITCH IS DESIGNED TO OPERATE AN INDICATOR LIGHT OR FORM PART OF A NON-SAFETY RELATED LOGIC CIRCUIT. NOT DESIGNED FOR USE AS A SAFETY INTERLOCK. TERMINAL COVER IS USED FOR PROTECTION DURING SHIPPING ONLY. USE STRAIN RELIEF ON WIRES.

Panel Preparation

Two holes $\varnothing 3.3^{+0.1}_{-0}$ (.130 $^{+0.004}_0$) for M3 or No. 4 size screws or $\varnothing 3$ rivets.



Note:
MAX. tightening torque for catch = 1.1 Nm (.81 ft. lbs.)
Max. tightening torque for keeper = 2.8 Nm (2.07 ft. lbs.)

- Installation**
1. Mount CATCH to frame.
 2. Orient KEEPER to latch. The arrow on the keeper should point towards the pawl. Mount to door and adjust for smooth latching.

Minimum distance from frame (or surface on which catch sub-assembly is mounted) to centerline of door hinge is 150 (5.9) MIN.

NOTE: These holes and dimensions are used only if adjustability through the use of slotted holes in catch is desired.

Material and Finish

SPRING: 302 Stainless steel, 13 N (3 lb.) passivated, blue organic coating; 22 N (5 lb.) passivated; 44 N (10 lb.) passivated, black oxide. RIVET: 5056 Aluminum, natural. HOUSING: PC/ABS, black. SUPPORT ROD, SPRING SUPPORT, PAWL and KEEPER: Glass fiber reinforced nylon, black. MICROSWITCH: Nylon, black.

Approximate Pull-up Force	PART NUMBERS
13 N (3 lbs.)	C3-1803 •
22 N (5 lbs.)	C3-1805 •
44 N (10 lbs.)	C3-1810 •

Catch and Keeper shipped separately, bulk.

Product Strength Guidelines

(To assist in your product selection; samples are available for your evaluation.)

Flammability Rating - All Plastic Materials:
UL 94 - V0

Operating Temperature Range:
-40°C (-40°F) to 60°C (140°F)

millimeter (inch)
millimeter (inch)

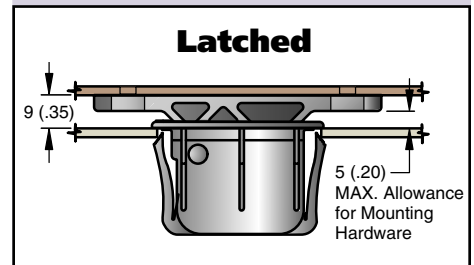
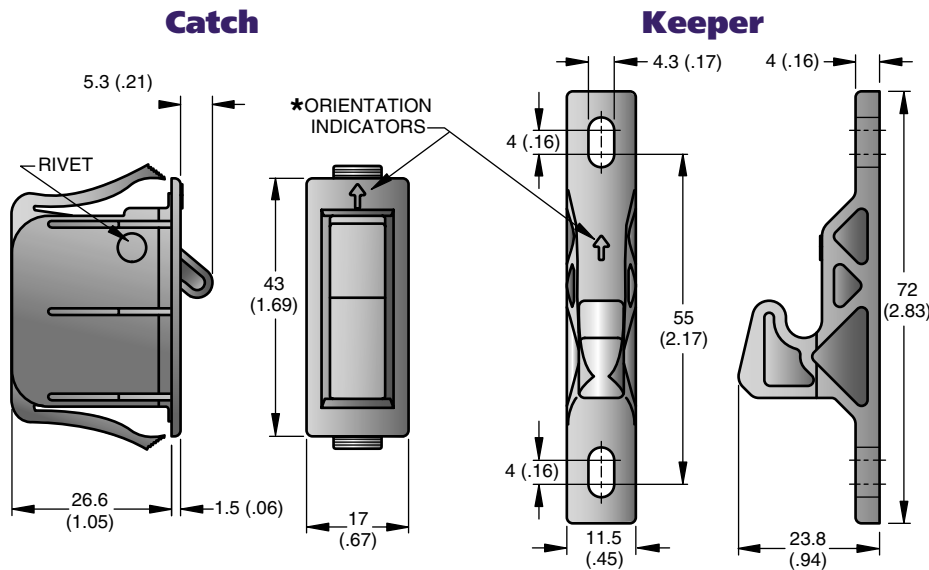
Dimensions without tolerances are for reference only.

Southco® Push to Close Latches

Grabber Catch, Snap-in Style

- Pull to open
- Catch snaps into frame
- Fits into frames from 1.1 (.043) to 7 (.276) thick
- Corrosion-resistant materials
- Spring-loaded over-center latching
- Choice of three pull-up forces

Push to Close Latches
Concealed



Material and Finish

SPRING: 302 Stainless steel, 13 N (3 lb.) passivated, blue organic coating; 22 N (5 lb.) passivated; 44 N (10 lb.) passivated, black oxide.

RIVET: 5056 Aluminum, natural.

HOUSING: ABS polycarbonate blend, black.

KEEPER: Mineral filled nylon, black.

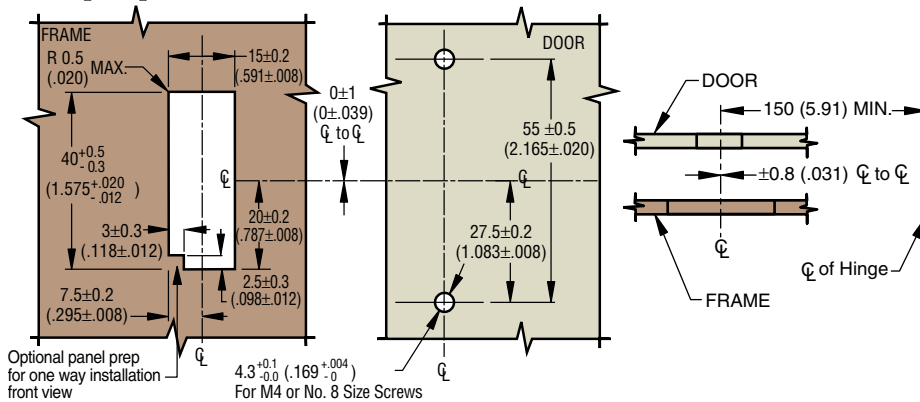
SUPPORT ROD, CATCH SUPPORT,

SPRING SUPPORT and PAWL: Glass

fiber reinforced nylon, black.

Panel Preparation

1. Prepare panels as shown.



Approx. Pull-up Force	PART NUMBERS		
	Panel Thickness Range		
13 N (3.0 lbs.)	C3-303 •	C3-503	C3-703 •
22 N (5.0 lbs.)	C3-305 •	C3-505	C3-705 •
44 N (10.0 lbs.)	C3-310 •	C3-510 •	C3-710 •

Catch and Keeper shipped separately, bulk. Colors are available on special order.

Please contact Southco for quantity and pricing details.

Product Strength Guidelines

(To assist in your product selection; samples are available for your evaluation.)

Flammability Rating - ABS Components and Mineral Filled Nylon Components: UL 94 - HB

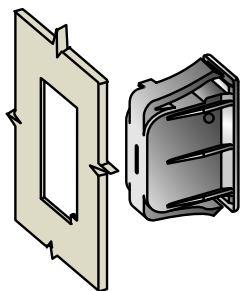
Operating Temperature Range:
-30°C (-20°F) to 60°C (140°F)

millimeter (inch)
millimeter
(inch)

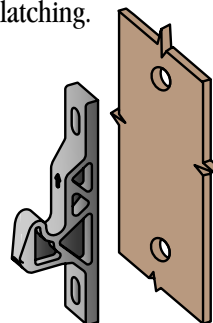
Dimensions without tolerances are for reference only.

Installation

1. Snap catch into frame.



2. Mount and adjust keeper as necessary for smooth latching.

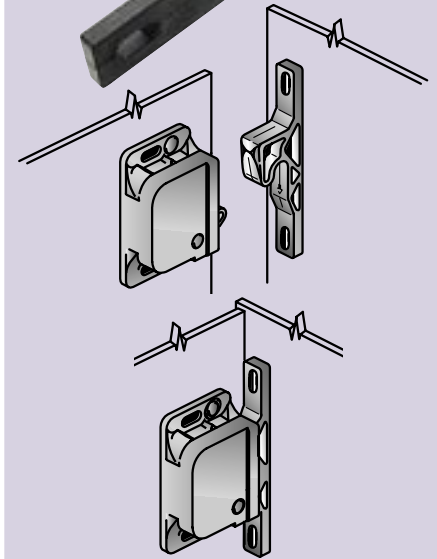
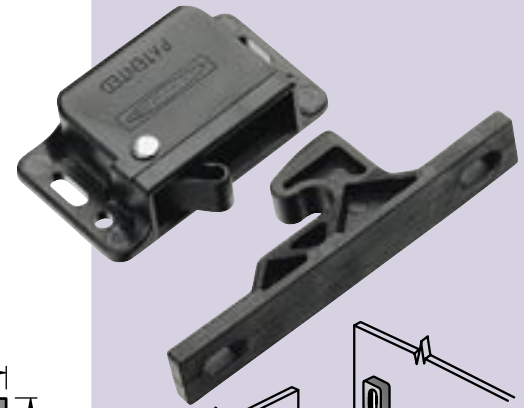


*Be sure the arrow on the keeper and the catch are pointing in the same direction.

Southco® Push to Close Latches

Grabber Catch, Side-mount Style

- Pull to open
- Corrosion-resistant materials
- Spring-loaded over-center latching
- Choice of three pull-up forces



Push to Close Latches
Concealed

Right side installation shown.
Invert catch and keeper for left side installation.

Material and Finish

SPRING: 302 Stainless steel, 13 N (3 lb.) passivated, blue organic coating; 22 N (5 lb.) passivated; 44 N (10 lb.) passivated, black oxide. RIVET: 5056 Aluminum, natural. HOUSING: ABS, black. SUPPORT ROD, SPRING SUPPORT and PAWL: Glass fiber reinforced nylon, black. KEEPER: Mineral filled nylon, black.

Approximate Pull-up Force	PART NUMBERS
13 N (3.0 lbs.)	C3-803 •
22 N (5.0 lbs.)	C3-805 •
44 N (10.0 lbs.)	C3-810 •

Catch and Keeper shipped separately, bulk.

Colors are available on special order.
Please contact Southco for quantity and pricing details.

Product Strength Guidelines

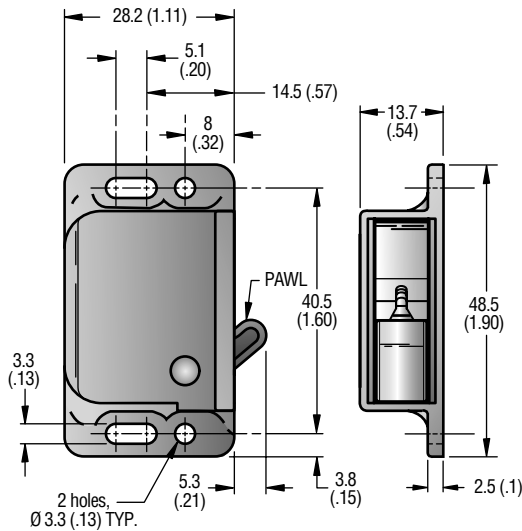
(To assist in your product selection; samples are available for your evaluation.)

Flammability Rating - ABS Components: UL 94 - HB
Operating Temperature Range:
-30°C (-20°F) to 60°C (140°F)

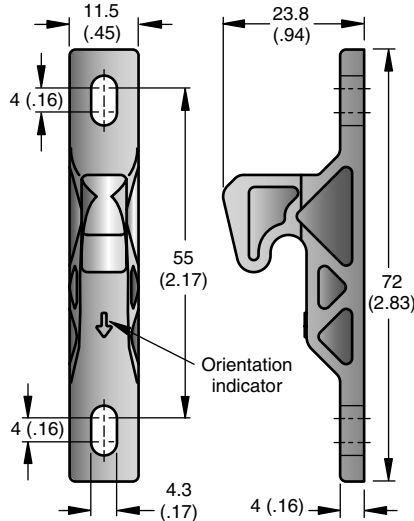
millimeter (inch)
millimeter
(inch)

Dimensions without tolerances are for reference only.

Catch



Keeper



Panel Preparation

Two holes $\text{Ø}3.3^{+0.1}_{-0}$ (.130⁺⁰⁰⁴) for M3 or No. 4 size screws or Ø 3 rivets.

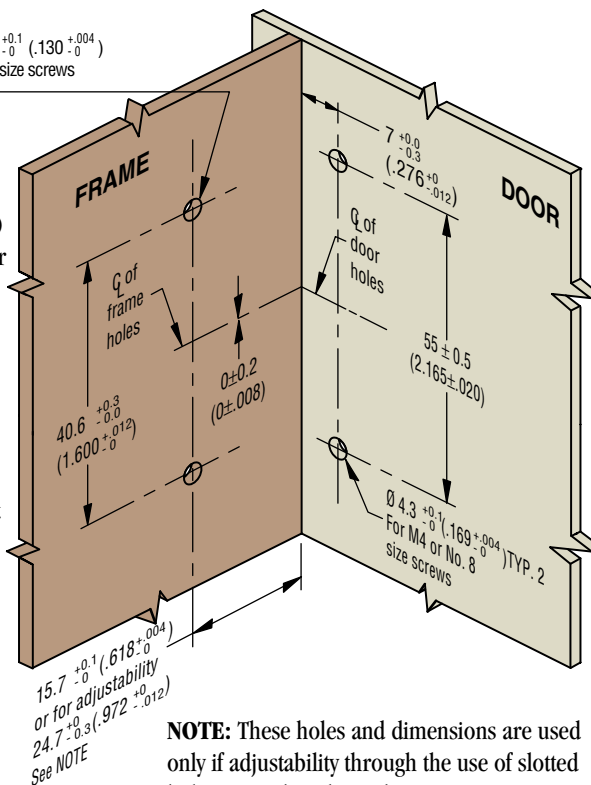
Note:

MAX. tightening torque for catch = 1.1 N•m (.81 ft. lbs.)
Max. tightening torque for keeper = 2.8 N•m (2.07 ft.lbs.)

Installation

1. Mount CATCH to frame.
2. Orient KEEPER to latch. The arrow on the keeper should point towards the pawl. Mount to door and adjust for smooth latching.

Minimum distance from frame (or surface on which catch sub-assembly is mounted) to centerline of door hinge is 150 (5.9) MIN.



NOTE: These holes and dimensions are used only if adjustability through the use of slotted holes in catch is desired.