

# Southco® A4 Push-to-Close Latch Concealed, Pinlatch



**Part Number** A4-20-501-10

The Concealed Pinlatch is opened and closed with a gentle push of its panel. If the panel is to be located flush with the support in the closed position, clearance must be provided behind the latch so it can be pushed inward enough to release the latch.

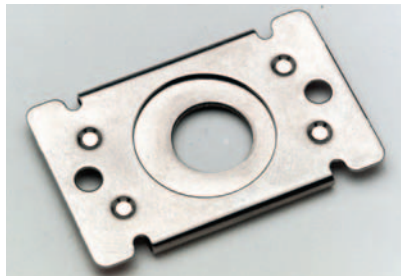
## Material and Finish

**Body:** Die cast zinc with natural finish  
**Spring & Locking Cam:** Stainless steel  
**Slide:** Black thermoplastic

## Mechanical

**Support Thickness Range:** .047" to .118"  
**Latch Float:** .008"  
**Latch Ejection When Released:** .177"  
**Latch Swing Arc Radius (Hinge to Latch Centers):** 6.0" minimum.

## Floating Receptacle (optional)



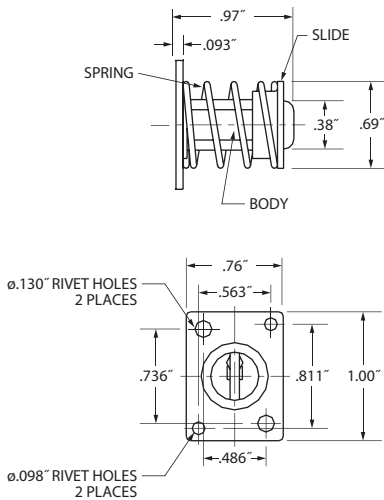
**Part Number** A4-26-502-10

## Material and Finish

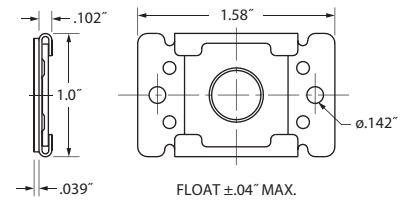
**Receptacle Housing & Plate:** Stainless steel

All dimensions on this page are in inches.

## Pinlatch



## Floating Receptacle

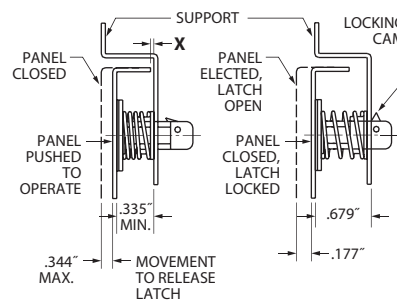
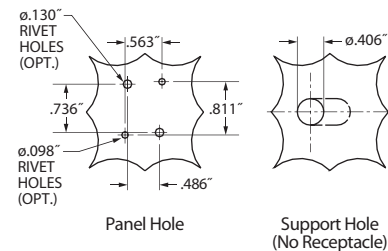


**Note:** Floating part of receptacle faces Pinlatch.

## Panel Preparation and Installation

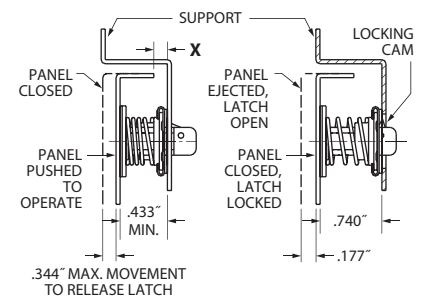
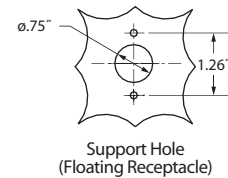
### Without Floating Receptacle

(latch engages with frame support)



### With Floating Receptacle

1. Floating Receptacle installation requires a .740" gap between panel back and top of support. Pressing panel for operation closes gap to .433".



# Southco® A4 Push-to-Close Latch Concealed, Heavy Duty, Pinlatch

southco®

Push-to-Close Latches



Description	Part Number
Latch	A4-30-201-12
Keeper	A4-36-201-12

The Heavy Duty Pinlatch is a sturdy all steel latch, having a simple press-to-lock, press-again-to-open operation, which may be installed so that it is totally concealed. It may be easily fitted, using either its side or rear mounting flanges with two screws or rivets. A pressed steel keeper is provided for the mating part. Housing and keeper ordered separately.

## Material and Finish

**Material:** Steel

**Finish:** Mechanical zinc with clear chromate

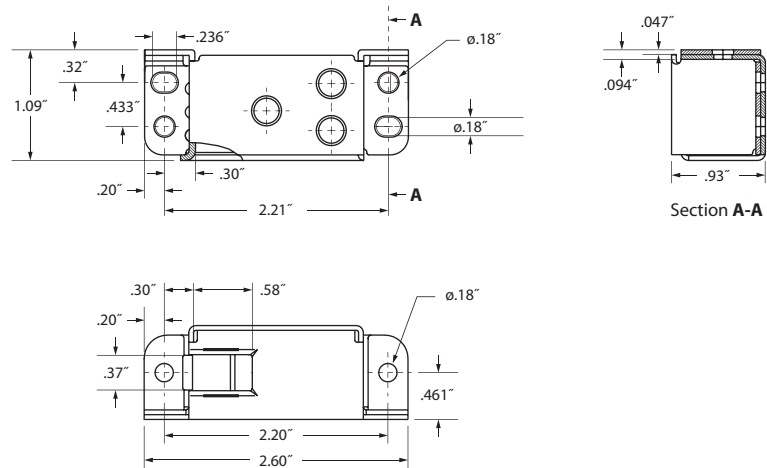
## Mechanical

**Maximum Load without Distortion:**

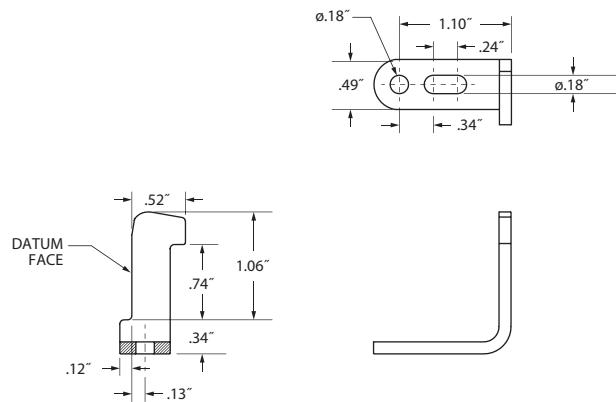
135 lbs.

**Ultimate Load:** 200 lbs.

## Housing Assembly

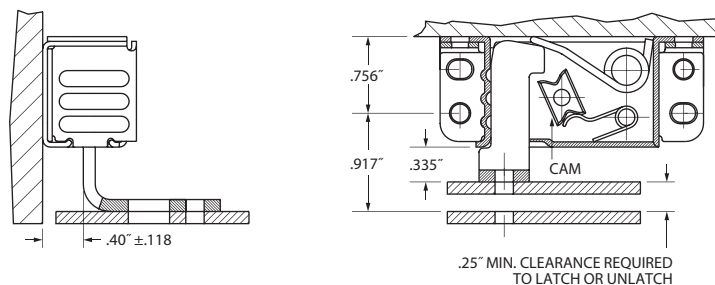


## Keeper



## Installation

1. The assembly may be installed by its side or rear flanges using No. 8 screws, peel type rivets or M4 bolts.
2. Approximately .25 inches of movement is required to latch or unlatch the assembly.
3. The latch must be installed so that the datum face of the keeper aligns with the inner face of the ribbed housing wall.
4. In the unlikely event that the keeper cannot enter the latch because the cam has rotated out of phase, turn the cam to the "ready" position as shown.



All dimensions on this page are in inches.