

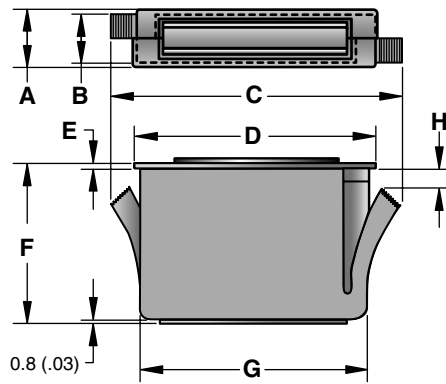
# Southco® Push to Close Latches

## Magnetic Catch Series, Snap-in Style

- Pull to open
- Optional mounting bracket available
- Four sizes

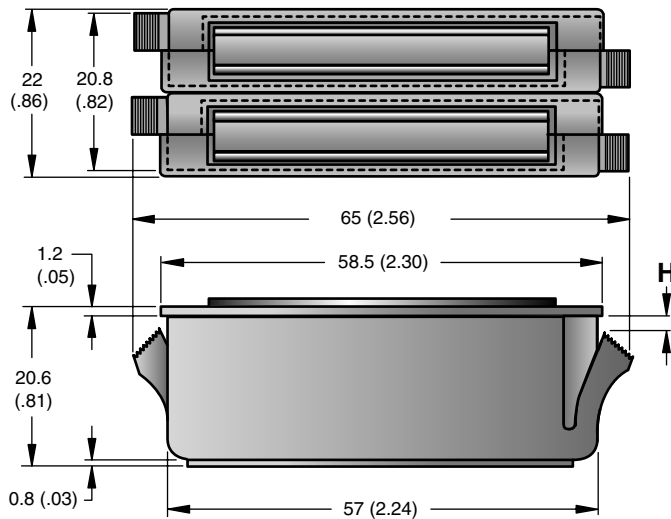
Push to Close Latches  
Concealed

### Small, Medium and Large



SIZE	DIMENSIONS							FRAME THICKNESS		H	PART NUMBERS	
	A	B	C	D	E	F	G	MIN.	MAX.		Black	White
Small (300 Series)	7.7 (.30)	6.1 (.24)	27.9 (1.10)	23.6 (.93)	0.8 (.031)	13.3 (.52)	22 (.87)	0.5 (.020)	2 (.080)	0.9 (.035)	02-10-301-10 •	02-10-301-20 •
			26.7 (1.05)					2 (.080)	3.5 (.140)	2.4 (.095)	02-10-302-10 •	02-10-302-20 •
Medium (100 Series)	9.2 (.36)	7.7 (.30)	47 (1.85)	39.7 (1.56)	0.8 (.031)	25.4 (1.00)	37.8 (1.49)	0.5 (.020)	2 (.080)	1 (.040)	02-10-101-10 •	02-10-101-20 •
			46.2 (1.82)					2 (.080)	3.5 (.140)	2.5 (.100)	02-10-102-10 •	02-10-102-20 •
			45.5 (1.79)					3.5 (.140)	5 (.200)	4 (.160)	02-10-103-10 •	02-10-103-20 •
Large (200 Series)	11 (.43)	9.4 (.37)	65.3 (2.57)	58.5 (2.30)	1.2 (.05)	20.6 (.81)	57 (2.24)	0.5 (.020)	2 (.080)	0.3 (.010)	02-10-201-10 •	02-10-201-20 •
			64.5 (2.54)					2 (.080)	3.5 (.140)	1.8 (.070)	02-10-202-10 •	02-10-202-20 •
			63.3 (2.49)					3.5 (.140)	5 (.200)	3.3 (.130)	02-10-203-10 •	02-10-203-20 •

### Large size with double magnet

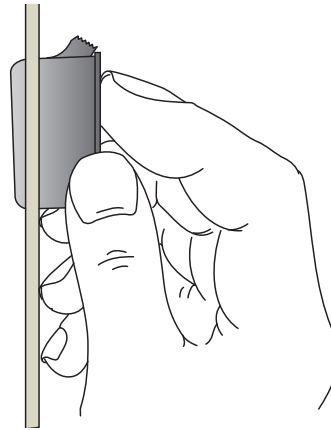
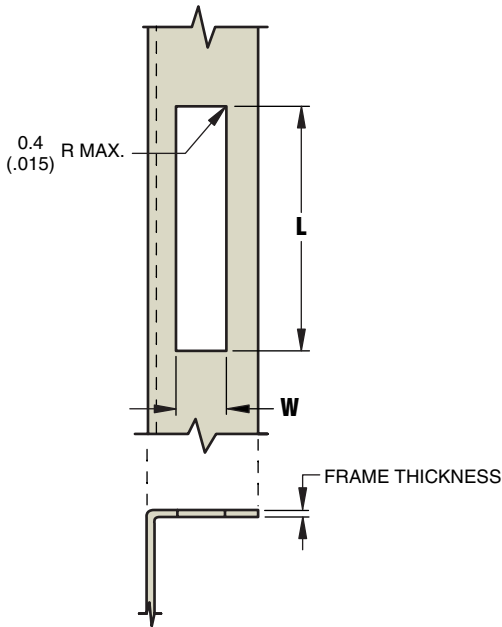


SIZE	FRAME THICKNESS		H	PART NUMBERS
	MIN.	MAX.		Black
Double Magnet (800 Series)	0.5 (.020)	2 (.080)	0.3 (.010)	02-10-801-10 •
	2.0 (.080)	3.6 (.140)	1.8 (.070)	02-10-802-10 •
	3.6 (.140)	5.1 (.200)	3.3 (.130)	02-10-803-10 •

## Installation

1. Punch rectangular slot.

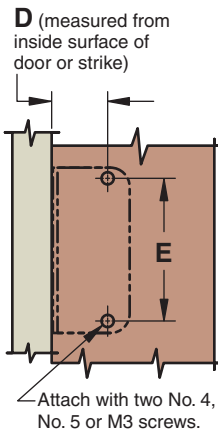
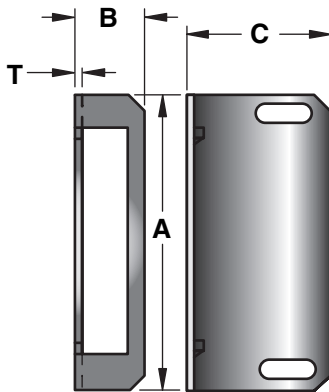
2. Snap catch into slot.



SIZE	L $\pm$ 0.1 (.005)	W $\pm$ 0.1 (.005)
<b>Small</b> (300 Series)	22.2 (.875)	6.4 (.250)
<b>Medium</b> (100 Series)	38.1 (1.500)	8.1 (.320)
<b>Large</b> (200 Series)	57.1 (2.250)	9.6 (.380)
<b>Double Magnet</b> (800 Series)	57.1 (2.250)	21 (.828)

## Mounting Bracket - Order Separately.

For applications where frame is not suitable for punching.



SIZE	For use with these catches ONLY:	DIMENSIONS						BRACKET PART NUMBER
		A	B	C	D	E $\pm$ 0.1 ( $\pm$ .005)	T	
<b>Small</b> (300 series)	02-10-301-10 02-10-301-20	41.3 (1.63)	11.1 (.44)	13.5 (.53)	7.9 $\pm$ 2.4 (.31 $\pm$ .09)	35 (1.38)	1 (.042)	02-16-301-11 •
<b>Medium</b> (100 series)	02-10-101-10 02-10-101-20	51 (2.00)	12.7 (.50)	24.6 (.97)	17.5 $\pm$ 3.2 (.69 $\pm$ .13)	44.5 (1.75)		02-16-101-11 •
<b>Large</b> (200 series)	02-10-201-10 02-10-201-20	76 (3.00)	14.3 (.56)	18.7 (.73)	12.7 $\pm$ 3.2 (.50 $\pm$ .13)	70 (2.75)		02-16-201-11 •
<b>Double Magnet</b> (800 series)	02-10-801-10 02-10-801-20	76 (3.00)	25.4 (1.00)	18.7 (.73)	12.7 $\pm$ 3.2 (.50 $\pm$ .13)	70 (2.75)		1.6 (.062)



## Material and Finish

HOUSING: Polypropylene, black or white.  
 POLE PIECES: 1010 Steel, zinc plated.  
 MAGNET (100 Series): Strontium ferrite.  
 MAGNET (All Other Series): Barium ferrite.  
 MOUNTING BRACKET: 1010 Steel, zinc plated.

## Product Strength Guidelines

(To assist in your product selection; samples are available for your evaluation.)

**Flammability Rating (Housing only):**

UL94 - HB

**Operating Temperature Range:**

- 30°C (-20°F) to 115°C (240°F)

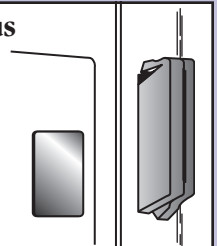
The performance values shown below are supplied as a general guide only, as values vary with each application and method of installation. Factors such as strike flatness, finish, and cleanliness impact performance. Southco recommends that you request a product sample for testing to determine the suitability of the product for the purpose intended and particular application.

SIZE	Average Breakaway Force	Standard Deviation
<b>Small</b> (300 Series)	8 N (1.8 lbs.)	2.1 N (0.47 lbs.)
<b>Medium</b> (100 Series)	39 N (8.7 lbs.)	5.9 N (1.3 lbs.)
<b>Large</b> (200 Series)	64 N (14 lbs.)	7.3 N (1.6 lbs.)
<b>Double Magnet</b> (800 Series)	105 N (23 lbs.)	18 N (4.0 lbs.)

## For non-ferrous application...

Screw-mounted and adhesive backed strikes are available.

Order separately. See page 148.



millimeter (inch)  
 millimeter  
 (inch)

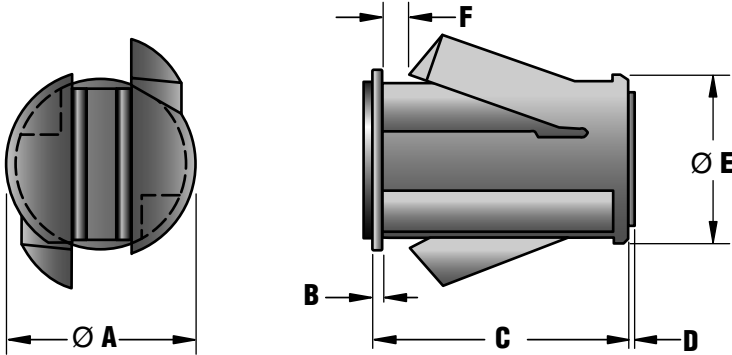
Dimensions without tolerances are for reference only.

# Southco® Push to Close Latches

## Magnetic Catch Series, Snap-in Style

- Pull to open
- Two sizes

Push to Close Latches  
Concealed



### Material and Finish

HOUSING: Polypropylene, black.  
POLE PIECES: 1010 Steel, zinc plated.  
MAGNET: Barium ferrite.

### Product Strength Guidelines

(To assist in your product selection; samples are available for your evaluation.)

#### Flammability Rating (Housing only):

UL94 - HB

#### Operating Temperature Range:

- 30°C (-20°F) to 115°C (240°F)

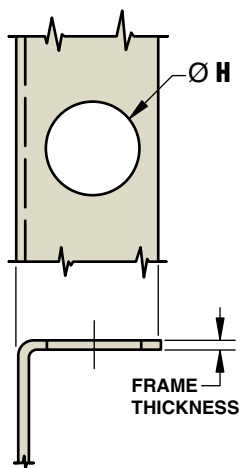
The performance values shown below are supplied as a general guide only, as values vary with each application and method of installation. Factors such as strike flatness, finish, and cleanliness impact performance. Southco recommends that you request a product sample for testing to determine the suitability of the product for the purpose intended and particular application.

SIZE	DIMENSIONS					FRAME THICKNESS		PART NUMBER	
	Ø A	B	C	D	Ø E	F	MIN.		MAX.
Small (400 series)	16 (.63)	0.8 (.031)	21.4 (.84)	0.8 (.03)	14.2 (.558)	0.8 (.030)	0.5 (.020)	2 (.080)	02-20-411-10 •
						2.3 (.090)	2 (.080)	3.5 (.140)	02-20-412-10 •
						3.8 (.150)	3.5 (.140)	5 (.200)	02-20-413-10 •
Large (600 series)	24.5 (.97)	1.2 (.048)	33.5 (1.32)	0.8 (.03)	22.1 (.870)	0.5 (.020)	0.5 (.020)	2 (.080)	02-20-611-10 •
						2 (.080)	2 (.080)	3.5 (.140)	02-20-612-10 •
						3.5 (.140)	3.5 (.140)	5 (.200)	02-20-613-10

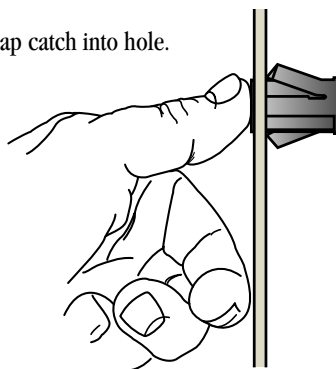
SIZE	Average Breakaway Force	Standard Deviation
Small (400 Series)	14 N (3.1 lbs.)	2.2 N (0.49 lbs.)
Large (600 Series)	49 N (11 lbs.)	6.4 N (1.4 lbs.)

### Installation

1. Drill or punch hole.



2. Snap catch into hole.

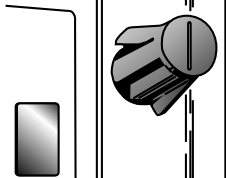


SIZE	Ø H
Small (400 Series)	14.3 <sup>+0.1</sup> <sub>-0.0</sub> (.563 <sup>+0.004</sup> <sub>-.000</sub> )
Large (600 Series)	22.3 <sup>+0.1</sup> <sub>-0.0</sub> (.875 <sup>+0.005</sup> <sub>-.000</sub> )

### For non-ferrous application...

Screw-mounted and adhesive backed strikes are available.

Order separately. See page 148.



millimeter (inch)  
millimeter  
(inch)

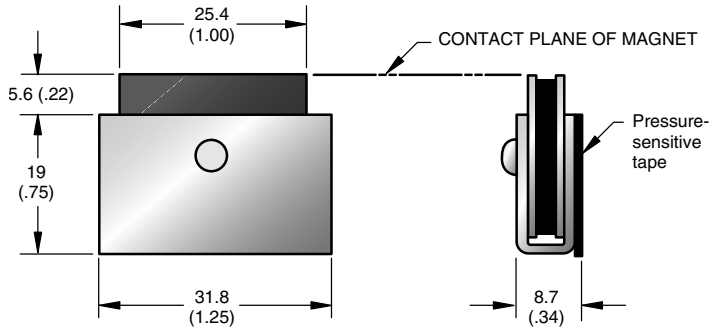
Dimensions without tolerances are for reference only.

# Southco® Push to Close Latches

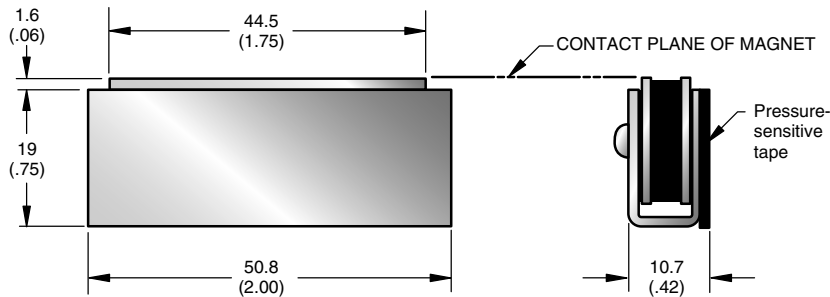
## Magnetic Catch Series, Adhesive-mount Style

- Pull to open
- Available in three sizes

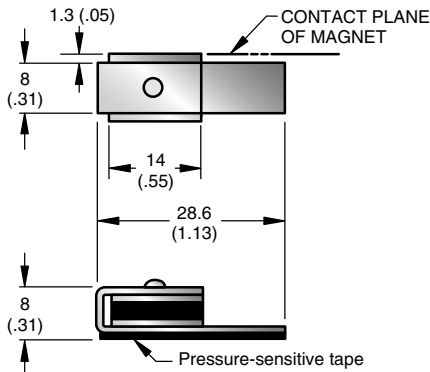
### Series 100



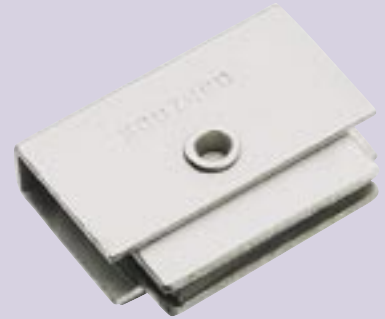
### Series 200



### Series 300



SERIES	PART NUMBER
100	02-30-121-10 •
200	02-30-221-10 •
300	02-30-321-10 •



### Material and Finish

HOUSING: 3003 Aluminum, natural.  
 RIVET: 5056 Aluminum, natural.  
 POLE PIECES: 1010 Steel, zinc plated.  
 PRESSURE-SENSITIVE TAPE: Neoprene foam with acrylic adhesive.  
 MAGNET (100 Series): Strontium ferrite.  
 MAGNET (200/300 Series): Barium ferrite.

**NOTE:** Self-adhesive catches are designed to function under intermittent break-away loads. Do not subject to a continuous load.

Provide stops to prevent excessive load on adhesive during door closure.

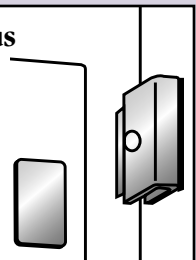
The performance values shown below are supplied as a general guide only, as values vary with each application and method of installation. Factors such as strike flatness, finish, and cleanliness impact performance. Southco recommends that you request a product sample for testing to determine the suitability of the product for the purpose intended and particular application.

SERIES	Average Breakaway Force	Standard Deviation
100	46 N (10 lbs.)	5.9 N (1.3 lbs.)
200	64 N (14 lbs.)	7.3 N (1.6 lbs.)
300	8 N (1.8 lbs.)	2.1 N (0.47 lbs.)

### For non-ferrous application...

Screw-mounted and adhesive backed strikes are available.

Order separately. See page 148.

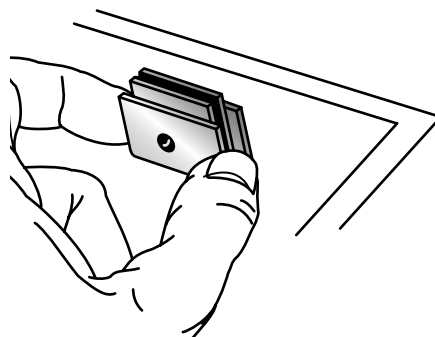
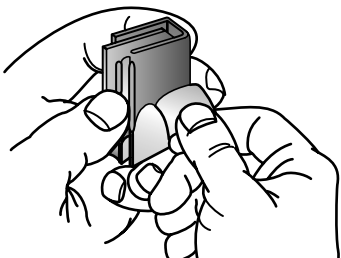


millimeter (inch)  
 millimeter (inch)

Dimensions without tolerances are for reference only.

### Installation

1. Remove protective paper.
2. Place in position.



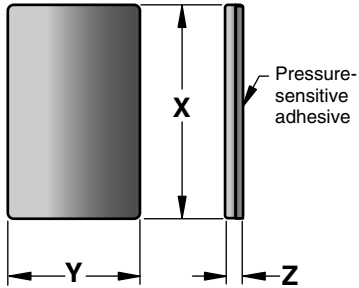
**NOTE:** Be sure the mounting surface is clean and capable of retaining a satisfactory adhesive bond.

# Southco® Push to Close Latches

## Magnetic Catch Series, Steel Strikes

- Self-adhesive or screw-mount styles

### Self-Adhesive



For use with:	PART NUMBER	X	Y	Z
300 Series Catch	02-14-301-14 •	24	8	2.4
400 Series Catch		(.94)	(.31)	(.10)
100 Series Catch	02-14-101-14 •	32	19	2.8
600 Series Catch		(1.25)	(.75)	(.11)
200 Series Catch	02-14-201-14 •	51	19	2.8
800 Series Catch		(2.00)	(.75)	(.11)



### Material and Finish

**STRIKE:** 1010 Steel, zinc plated plus bright chromate.

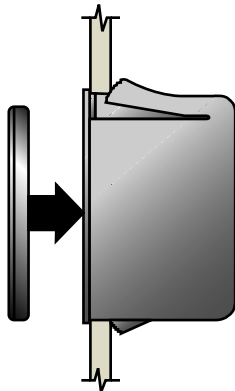
**PRESSURE-SENSITIVE ADHESIVE:** Neoprene foam with acrylic adhesive.

**NOTE:** Self-adhesive mounted strikes are designed to function under intermittent break-away loads. Use screw-mounted strikes for continuous load applications.

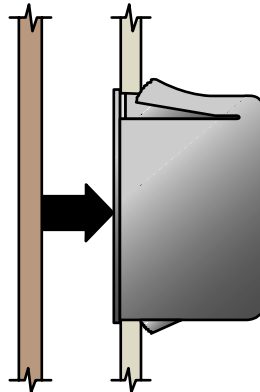
**NOTE:** Be sure the mounting surface is clean and capable of retaining a satisfactory adhesive bond.

### Installation

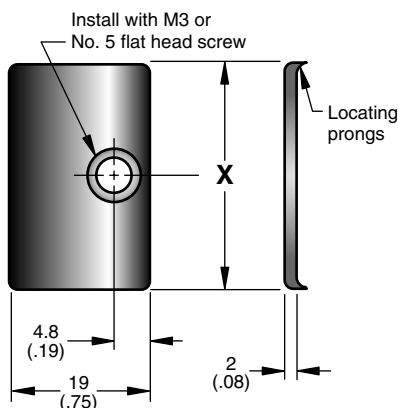
1. Position strike on installed catch.



2. Remove protective paper. Close door or panel onto strike.



### Screw-Mounted



For use with:	PART NUMBER	X
100 Series Catch	02-14-102-11 •	32
600 Series Catch		(1.25)
200 Series Catch	02-14-202-11 •	51
800 Series Catch		(2.00)



### Material and Finish

**STRIKE:** 1010 Steel, zinc plated plus bright chromate.

millimeter (inch)  
millimeter  
(inch)

Dimensions without tolerances are for reference only.