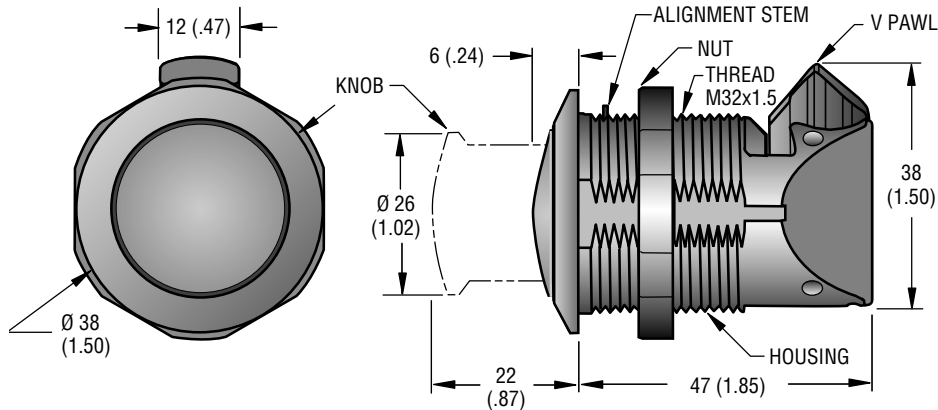


Southco® Push to Close Latch

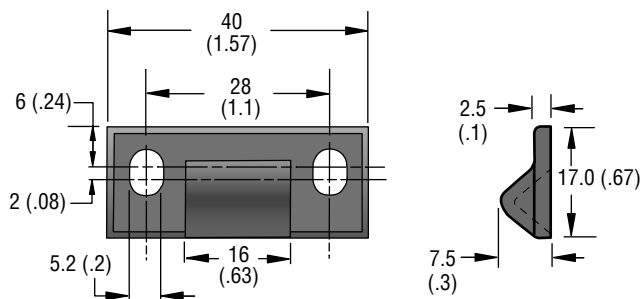
Pull to Open Design

- Pull the knob to open, simply push the door to close
- Quick, round-hole installation
- Knob stores flush; pops out at a touch
- Corrosion- and UV-resistant



PART NUMBER	
FINISH Knob/Housing	PULL TO OPEN ASSEMBLY
Chrome/Chrome	M1-2A-15-1 •
Black/Black	M1-2A-15-5 •
Gold/Gold	M1-2A-15-8 •

Pull to Open Keeper



Material and Finish

BLACK HOUSING and KNOB: PC/ABS.
 CHROME HOUSING: PC/ABS, chrome plated.
 CHROME KNOB: ABS, chrome plated.
 GOLD HOUSING: PC/ABS, chrome plating plus gold-colored PVD.
 GOLD KNOB: ABS, chrome plating plus gold-colored PVD.
 INTERNAL CYLINDER: Acetal, white
 PLASTIC KEEPERS, NUT, PAWL: Glass filled nylon, black.
 METAL KEEPER: 304 Stainless steel, passivated.
 INTERNAL SPRINGS (2): 304 Stainless steel, passivated.

Product Strength Guidelines

(To assist in your product selection; samples are available for your evaluation.)
At room temperature

Average Ultimate Load:

Self adjusting grip: 460 N (100 lbs.)
 Fixed Grip: 780 N (175 lbs.)
 Pull to Open: 225 N (50 lbs.)

Maximum Recommended Static Load:

Self adjusting grip: 220 N (50 lbs.)
 Fixed Grip: 310 N (70 lbs.)

Salt Spray exposure per ASTM B117:

Greater than 500 hrs.

Ultra-violet exposure per ASTM G53:

Greater than 500 hrs.

Product Operating Temperature Range:

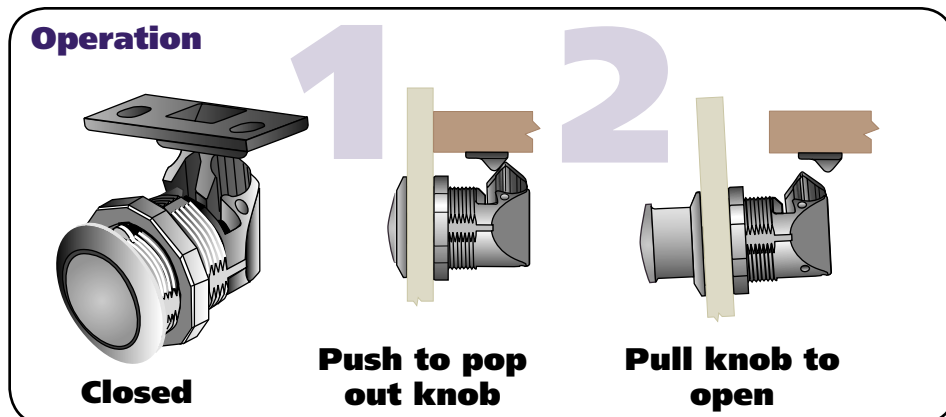
-30° C (-22° F) to 60° C (140° F)

Flammability Rating: UL94-HB

****NOTE:** For Panel Preparation and detailed installation instructions see page 117.

millimeter (inch)
 millimeter (inch)

Dimensions without tolerances are for reference only.



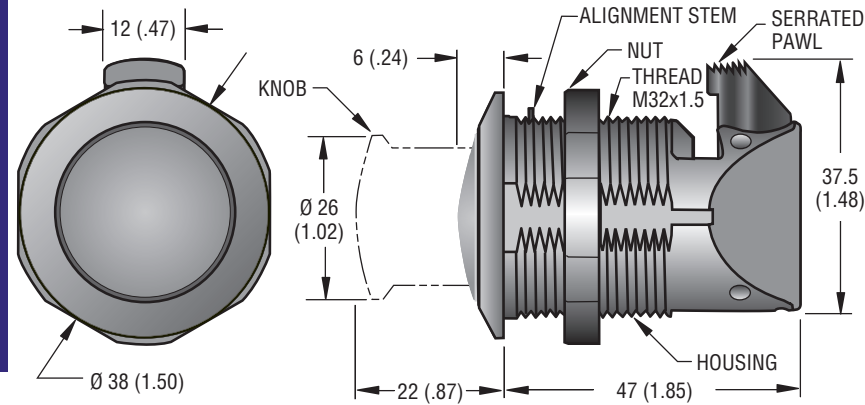
Southco® Push to Close Latch

Pop-out Knob Design

- Turn the knob to open, simply push the door to close
- Knob stores flush; pops out at a touch
- Securely latches with knob in or out
- Corrosion and UV-Resistant
- Accommodates misalignment
- Quick, round-hole installation

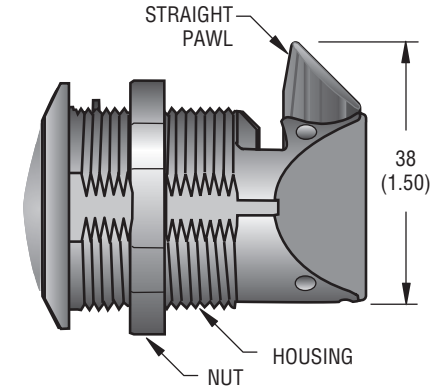
Self-adjusting Grip

- Accommodates misalignment in 3 planes



PART NUMBERS		
SELF ADJUSTING GRIP		
FINISH Knob/Housing	FLUSH-MOUNT ASSEMBLY	SURFACE-MOUNT ASSEMBLY
Chrome/Chrome	M1-2A-12-1 •	M1-2A-11-1 •
Black/Black	M1-2A-12-5 •	M1-2A-11-5 •
Gold/Gold	M1-2A-12-8 •	M1-2A-11-8 •

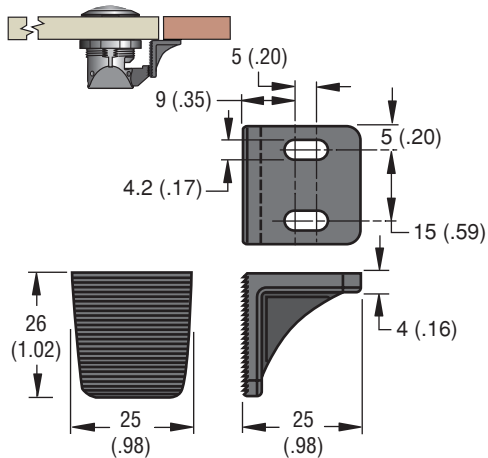
Fixed Grip



PART NUMBER	
FINISH Knob/Housing	FIXED-GRIP ASSEMBLY
Chrome/Chrome	M1-2A-13-1 •
Black/Black	M1-2A-13-5 •
Gold/Gold	M1-2A-13-8 •

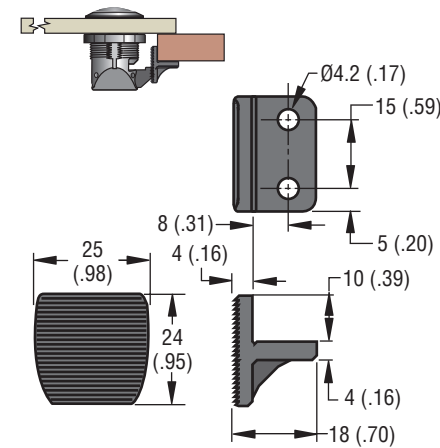
Flush-mount Keeper

For Flush Door/Frame Configurations



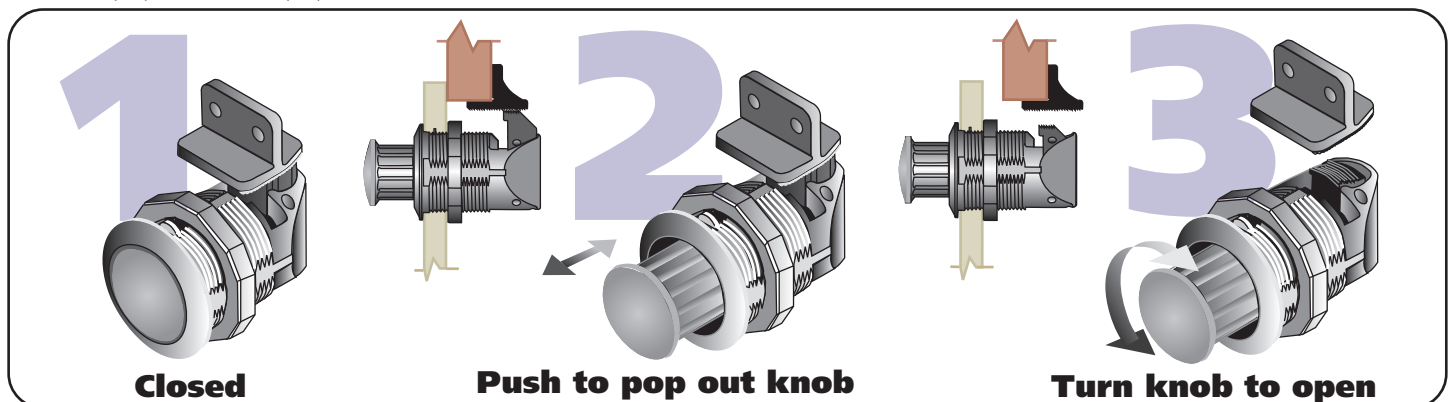
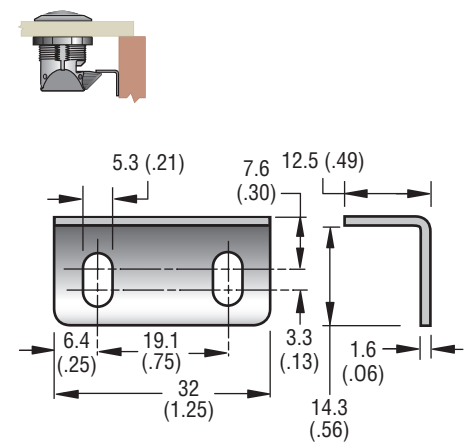
Surface-mount Keeper

For Overlapping Doors



Metal Keeper

Can be used for Perpendicular Door/Frame Configurations

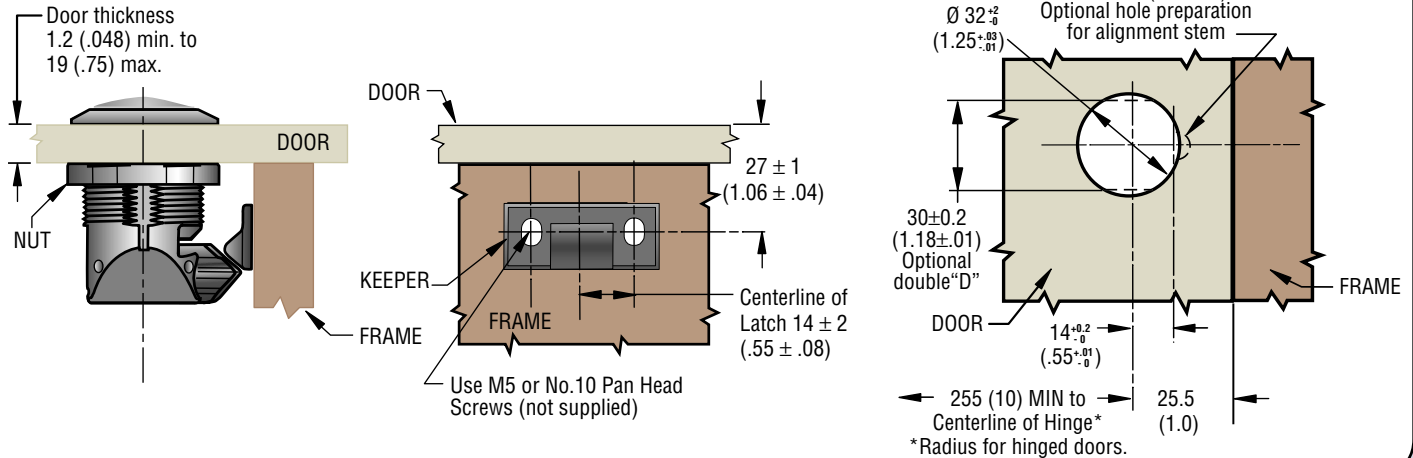


Installation Instructions

1. Prepare door and frame as shown. The following optional panel preparations may be used to ensure latch anti-rotation: alignment stem hole for panels thicker than 6.4 (.25) or a double "D" hole.
Note: alignment stem folds away if round hole preparation is used.
2. Insert latch through hole and tighten nut. Maximum recommended tightening torque is 4.2 N•m, (37 in.-lbs.). Install keeper.

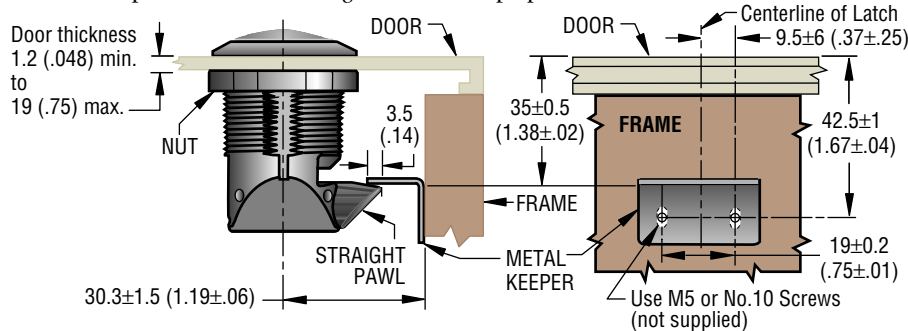
****See page 115 for Material and Finish and Product Strength Guidelines.**

Pull to Open Installation



Fixed-grip Installation

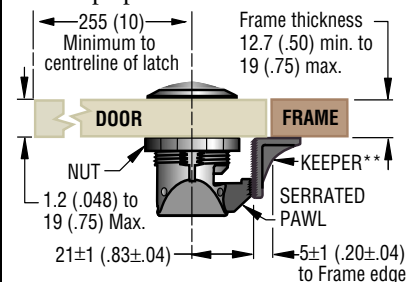
See Pull to Open installation drawing above for hole preparation detail.



If necessary, adjust keeper to eliminate any gap between Door and Frame.

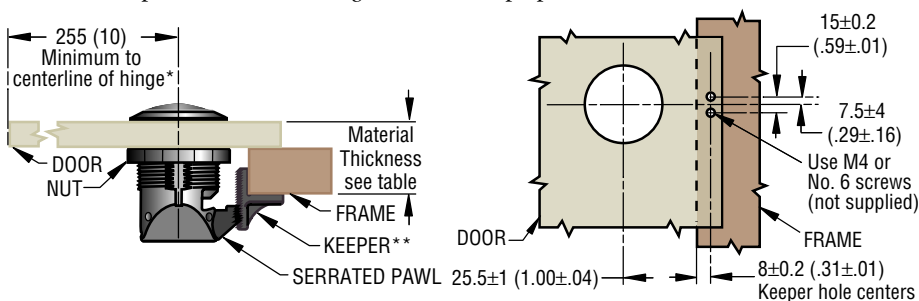
Self-adjusting Pawl Installation: Flush-mount Door

See Pull to Open installation drawing above for hole preparation detail.



Self-adjusting Pawl Installation: Surface-mount Door

See Pull to Open installation drawing above for hole preparation detail.



**** Keeper is not intended to be the door stop.**

DOOR TO FRAME Thickness Ratios

DOOR Thickness	FRAME Thickness	
	Minimum	Maximum
1.2 (.048)	23.8 (.94)	40.3 (1.59)
3.2 (.125)	21.8 (.86)	38.3 (1.51)
6.4 (.25)	18.2 (.72)	35.8 (1.41)
9.5 (.375)	15.5 (.61)	32.5 (1.28)
12.7 (.50)	12.7 (.50)	29.2 (1.15)
15.9 (.625)	10 (.39)	26.1 (1.03)
19 (.75)	10 (.39)	23 (.90)

*Radius for hinged doors. If latch is used on a drawer, there is no clearance minimum.

**Keeper aligns against Frame for ease of installation.

NOTE: A gasket, bumper, or equivalent will eliminate a gap that could exist between the door and frame and eliminate possible rattle.

millimeter (inch)
millimeter
(inch)

Dimensions without tolerances are for reference only.