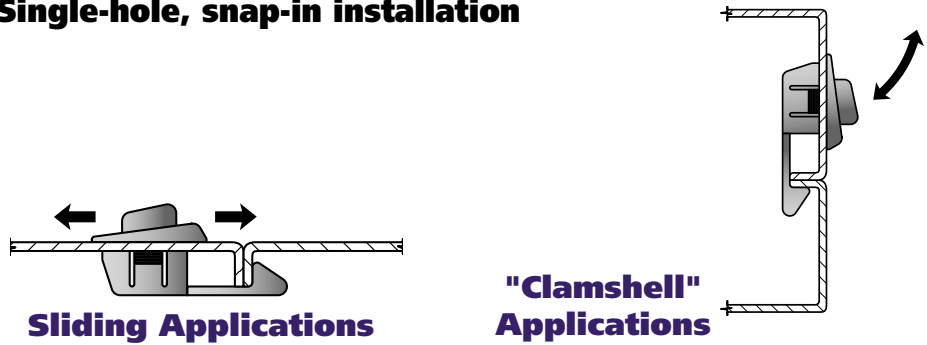


# Southco® Push to Close Latches

## Snap-in Latch

- Push button to open
- For coplanar mating surfaces
- Accommodates sliding or "clamshell" applications
- Single-hole, snap-in installation

Push to Close Latches Visible

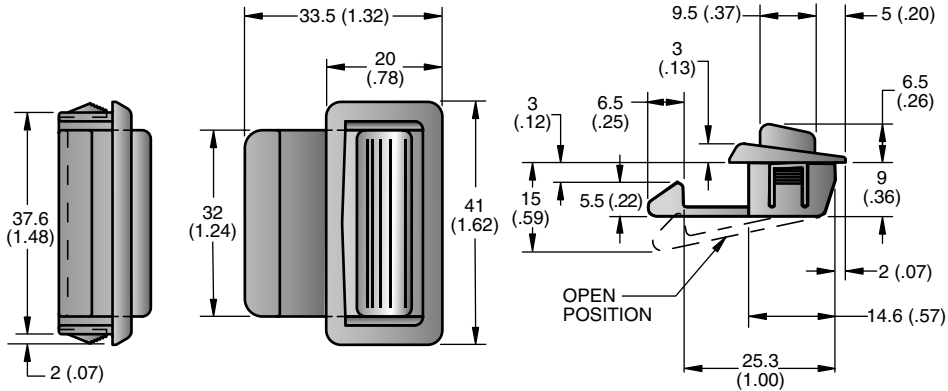


### Material and Finish

Acetal.

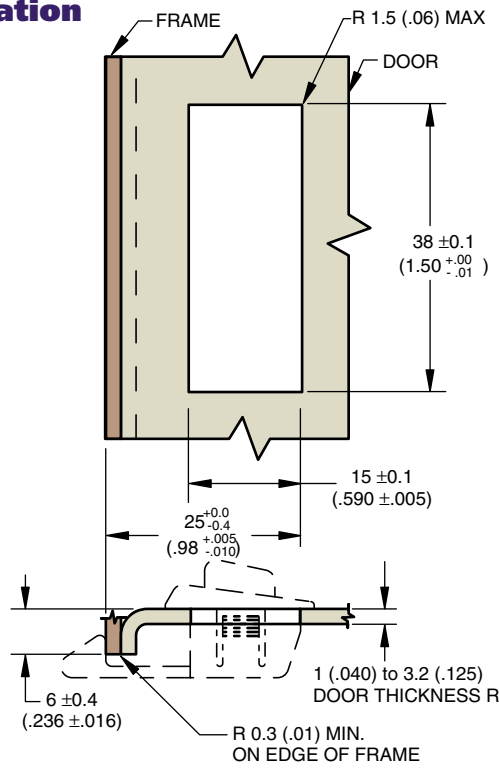
### Installation

Snap latch into hole.



COLOR	PART NUMBER
White	80-201 •
Black	80-202 •

### Panel Preparation



### Product Strength Guidelines

(To assist in your product selection; samples are available for your evaluation.)  
 Maximum static load: 90 N (20 lbs.)  
 Average ultimate load: 150 N (34 lbs.)

**Flammability Rating:** UL94 - HB  
**Operating Temperature Range:** -40°C (-40°F) to 100°C (210°F)

millimeter (inch)  
 millimeter (inch)

Dimensions without tolerances are for reference only.