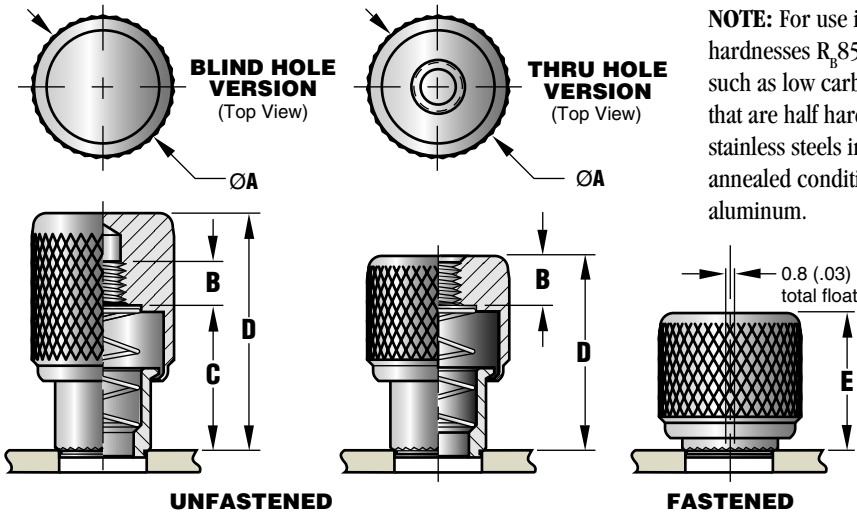


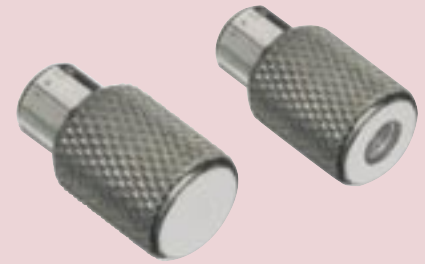
Southco® Captive Fasteners

Captive Nut

- Spring ejected
- Knurled knob provides solid grip
- Fastens to externally threaded studs
- Helps speed panel replacement



NOTE: For use in material hardnesses $R_B 85$ or less, such as low carbon steels that are half hard or softer, stainless steels in the annealed condition and aluminum.



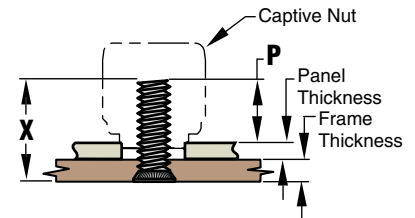
Material and Finish

KNOB: Aluminum, natural.
FERRULE: 12L14 Case hardened steel, zinc plate, chromate plus sealer.
SPRING: 302 Stainless steel, passivated.

Threadstud Insert Selection

FOR BLIND HOLE APPLICATIONS
 Frame Thickness + panel thickness + P Min. = X Min.
 Frame thickness + panel thickness + P Max. = X Max.
 Threadstud Insert length (L): X Min. ≤ "L" ≤ X Max.
 "L" values greater than X Max. must use the thru hole version.
 If a weldstud is used, omit the frame thickness from the calculations. (See the table and diagram below.)

*The above dimensions are for blind hole captive nuts.

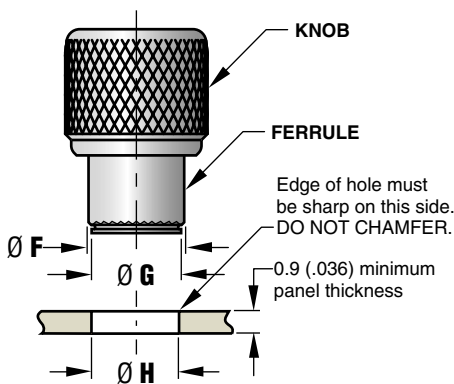


THREAD SIZE	P, MIN.	P, MAX.
M3	7.1 (.28)	9.5 (.37)
M4	10 (.40)	12.1 (.47)
M5	10.2 (.41)	12.2 (.48)
M6	12.4 (.49)	16.7 (.66)
4-40	7.3 (.29)	9.4 (.37)
6-32	9.9 (.39)	13.1 (.51)
8-32	10.1 (.40)	13.3 (.52)
10-32	10.3 (.41)	13.5 (.53)
1/4-20	13 (.51)	16.5 (.65)

For thru-hole version Captive Nuts use the same value of minimum length. The maximum length is determined by the circumstances of your application.

Installation

1. Prepare hole in panel as shown.
2. Provide a solid back-up surface behind the panel.
3. Press the assembly into the panel until only the top of the knurl on the ferrule is visible.



NOTE: Recommended minimum distance from edge of panel to centerline of hole is $1.5 \times \text{ØH}$.

THREAD SIZE	KNOB STYLE	Ø A	B (Thread length)	C	D	E	Ø F	Ø G	Ø H	PART NUMBER	
										Metric Natural	Inch Natural
M3 or 4-40	Thru Hole	10.6 (.42)	3.6 (.14)	—	12.8 (.50)	9.3 (.37)	6.4 (.25)	5.5 (.22)	5.6±0.04 (.219 ^{+0.003} _{-.000})	N7-02-10 •	N7-52-10 •
	Blind Hole		4 (.16)	9.2 (.36)	16.8 (.66)	13.3 (.52)				N7-02-11 •	N7-52-11 •
6-32	Thru Hole	11.4 (.45)	4.7 (.19)	—	17.7 (.70)	12.5 (.49)	7.1 (.28)	6.3 (.25)	6.4 ^{+0.03} _{-0.05} (.250 ^{+0.003} _{-.000})	—	N7-62-10 •
	Blind Hole		5.4 (.21)	13 (.51)	23 (.91)	17.9 (.70)				—	N7-62-11 •
M4 or 8-32	Thru Hole	13 (.51)	4.5 (.18)	—	17.7 (.70)	12.5 (.49)	9 (.35)	7.9 (.31)	8 ⁻⁰ _{-0.08} (.314 ^{+0.000} _{-.002})	N7-22-10 •	N7-72-10
	Blind Hole		5.4 (.21)	13.2 (.52)	23 (.91)	17.9 (.70)				N7-22-11 •	N7-72-11 •
M5 or 10-32	Thru Hole	13 (.51)	4.5 (.18)	—	17.7 (.70)	12.5 (.49)	9 (.35)	7.9 (.31)	8 ⁺⁰ _{-0.08} (.314 ^{+0.000} _{-.002})	N7-32-10 •	N7-82-10 •
	Blind Hole		5.4 (.21)	13.2 (.52)	23 (.91)	17.9 (.70)				N7-32-11 •	N7-82-11 •
M6 or 1/4-20	Thru Hole	14.6 (.58)	6.4 (.25)	—	22.8 (.90)	16 (.63)	10 (.39)	9.4 (.37)	9.5 ^{+0.1} ₋₀ (.375 ^{+0.003} _{-.000})	N7-42-10	N7-92-10
	Blind Hole		7 (.28)	16.4 (.65)	29.5 (1.16)	23 (.91)				N7-42-11 •	N7-92-11

millimeter (inch)
 millimeter
 (inch)

Dimensions without tolerances are for reference only.

Captive Fasteners
 Captive Nuts