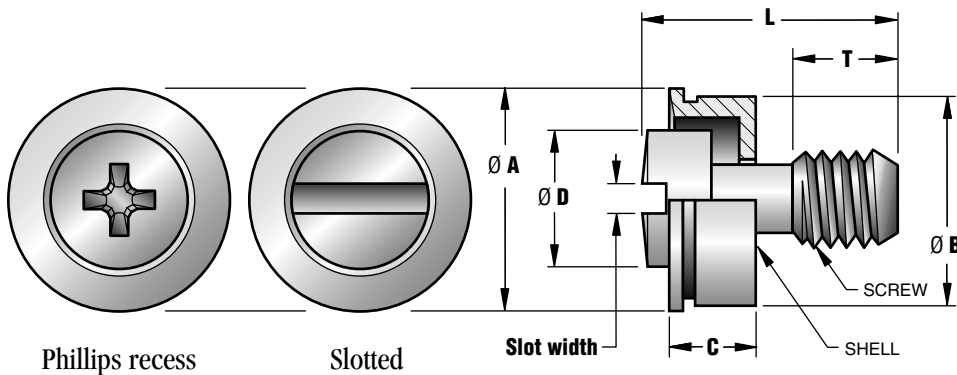


# Southco® Captive Fasteners

## Flush Series

- Flush when fastened



### A General Guide

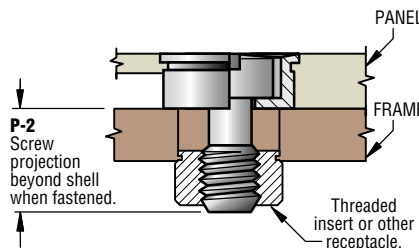
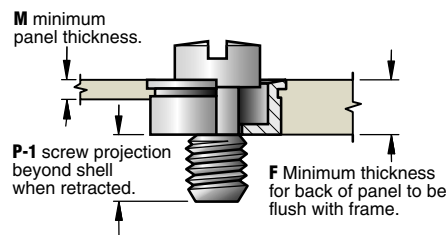
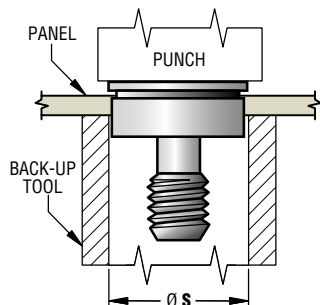
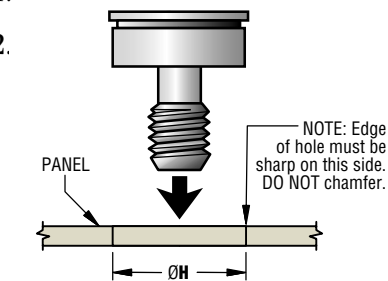
For use in most aluminums or in low carbon steels that are 1/4 hard or softer. Ask for samples for testing.

Head style	Thread size	SCREW DIMENSIONS					Slot width	Screw length L	PART NUMBERS		INSTALLATION DIMENSIONS						
		Ø A	Ø B	C	Ø D	T			Metric	English	Ø H	M	F	P-1	P-2	Ø S	
 Phillips recess	M4 X 0.7 or UNC 8-32	10.1 (.40)	9.45 (.373)	3.1 (.122)	6.4 (.25)	4.3 (.17)	—	8.6 (.34)	F5-M4-P2 •	F5-832-P2 •	9.5 <sup>+0.08</sup> <sub>-0.00</sub> (.375) <sup>+0.003</sup> <sub>-.000</sub>	1.5 (.060)	3.2 (.125)	4.3 (.17)	5.6 (.22)	9.6 <sup>+0.1</sup> <sub>-0.05</sub> (.379) <sup>+0.004</sup> <sub>-.002</sub>	
								9.6 (.38)	F5-M4-P4 •	F5-832-P4 •					6.6 (.26)		
								10.6 (.42)	F5-M4-P6 •	F5-832-P6 •					7.6 (.30)		
								11.6 (.46)	F5-M4-P8 •	F5-832-P8 •					8.6 (.34)		
 Slotted	M3 x 0.5 or UNC 4-40	7.1 (.28)	6.45 (.254)	1.7 (.067)	4 (.16)	3.8 (.15)	0.9 (.035)	5.8 (.23)	F5-90-402-20 •	F5-60-402-20 •	6.5 <sup>+0.08</sup> <sub>-0.00</sub> (.257) <sup>+0.002</sup> <sub>-.001</sub>	1.3 (.050)	1.8 (.070)	3.8 (.15)	4.1 (.16)	6.6 <sup>+0.1</sup> <sub>-0.05</sub> (.260) <sup>+0.004</sup> <sub>-.002</sub>	
								7.9 (.31)	F5-90-406-20 •	F5-60-406-20 •					6.1 (.24)		
	UNC 6-32	8.1 (.32)	7.44 (.293)	2 (.082)	4.8 (.19)	3.8 (.15)	1 (.039)	—	6.4 (.25)	—	F5-60-602-20 •	7.5 <sup>+0.08</sup> <sub>-0.00</sub> (.295) <sup>+0.003</sup> <sub>-.000</sub>	1.4 (.055)	2.2 (.085)	3.8 (.15)	4.3 (.17)	7.6 <sup>+0.1</sup> <sub>-0.05</sub> (.299) <sup>+0.004</sup> <sub>-.002</sub>
									8.4 (.33)	—	F5-60-606-20 •					6.4 (.25)	
									9.4 (.37)	—	F5-60-608-20 •					7.4 (.29)	
	M4 x 0.7 or UNC 8-32	10.1 (.40)	9.45 (.373)	2.34 (.092)	6.4 (.25)	5.1 (.20)	1.1 (.045)	—	8.9 (.35)	F5-M40-14 •	F5-832-14 •	9.5 <sup>+0.08</sup> <sub>-0.00</sub> (.375) <sup>+0.003</sup> <sub>-.000</sub>	1.5 (.060)	2.4 (.095)	5.1 (.20)	6.6 (.26)	9.6 <sup>+0.1</sup> <sub>-0.05</sub> (.379) <sup>+0.004</sup> <sub>-.002</sub>
									9.9 (.39)	F5-M40-16 •	F5-832-16 •					7.6 (.30)	
									10.9 (.43)	F5-M40-18 •	F5-832-18 •					8.6 (.34)	

Captive Screws

### Installation

- 1.
- 2.



### Material and Finish

SHELL: 303 Stainless steel, passivated.  
SCREW: (Slotted) 303 Stainless steel, passivated. (Phillips) 430 Stainless steel, passivated.

### Notes

Screws will float 0.5 (.02) total movement.  
Shipped assembled. Protectively packaged.

Thread Size	MAX. Rec. Tightening Torque
4-40/M3	0.6 N•m (5 in.-lbs.)
6-32	1.6 N•m (14 in.-lbs.)
8-32/M4	2.8 N•m (25 in.-lbs.)

millimeter (inch)  
millimeter  
(inch)

Dimensions without tolerances are for reference only.