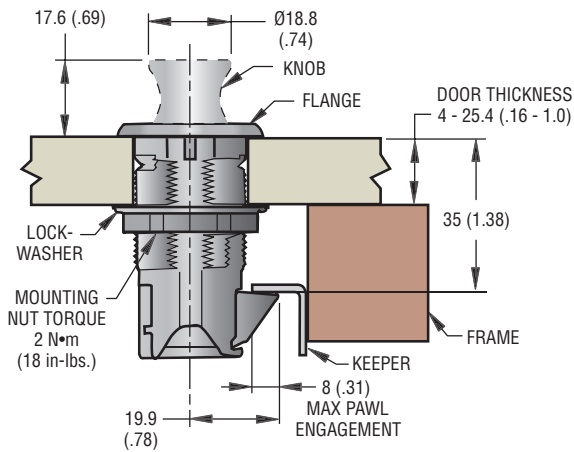
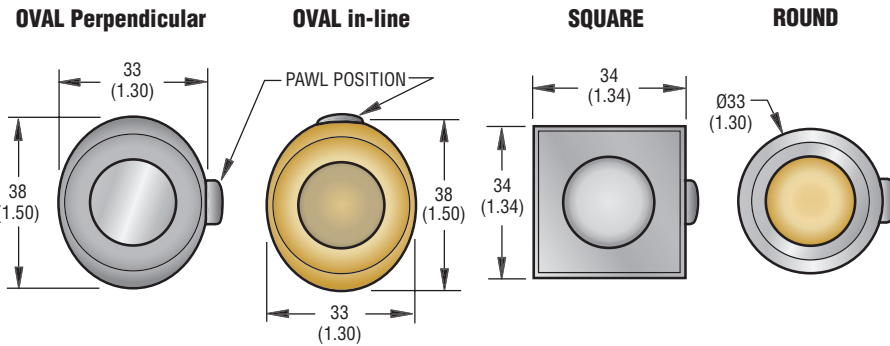
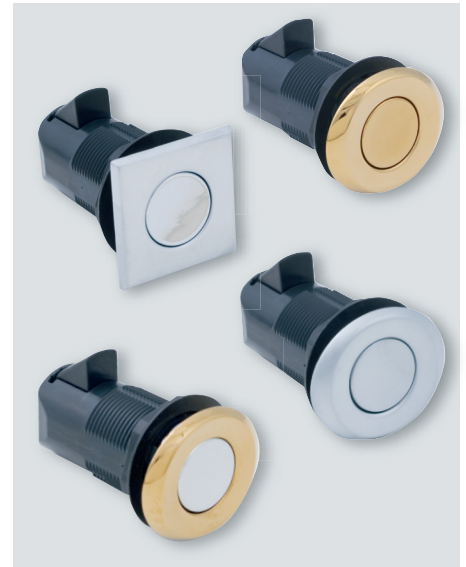


Southco® Point, Push-to-Close Latch Pull-to-Open, Flush

southco®

- Knob stores flush; pops out at a touch
- Smooth operation requires low closing actuation force
- Easy single hole installation
- Slamable in both latched and unlatched position
- Finish and shape flexibility



Finishes

- Chrome
- Satin
- Brass

For more finish options please contact Southco.

Material and Finish

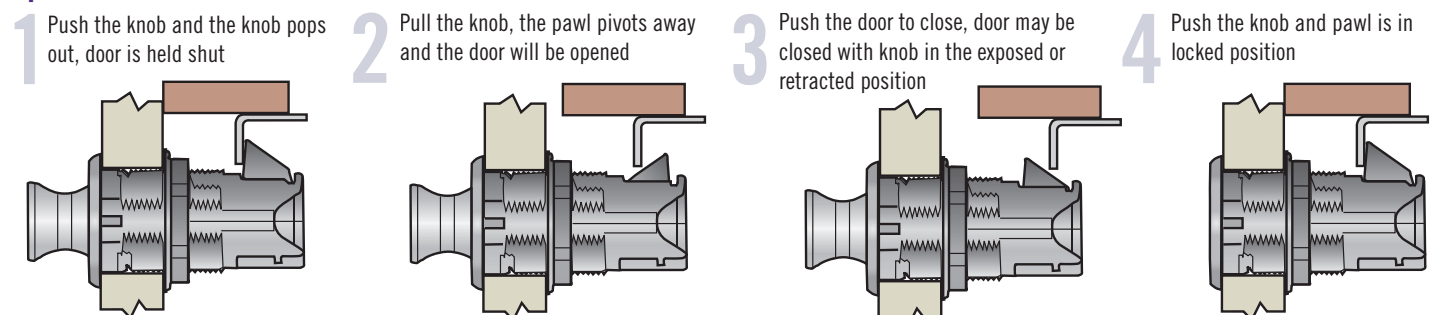
HOUSING and COVER: PC/PBT, black
 CHROME and SATIN FLANGE and KNOB: Die cast zinc, chrome plated, see table
 BRASS FLANGE and KNOB: Die cast zinc, chrome plated plus colored PVD, see table
 PAWL and MOUNTING NUT: Glass filled Nylon, black
 RATCHET and GUIDE: Acetal, black
 SHAFT, KNOB SPRING, RATCHET SPRING, GUIDE SPRING, LOCKWASHER: Stainless steel, passivated

FIXED KEEPER: Stainless steel, passivated
 HOODED KEEPER: Nylon, black
 ADJUSTABLE KEEPER: Acetal, black, with Brass screw

PART NUMBERS					
FLANGE	KNOB	OVAL Perpendicular	OVAL In-line	SQUARE	ROUND
Chrome	Chrome	MP-05-112-11•	MP-05-122-11•	MP-05-212-11•	MP-05-312-11•
Satin	Satin	MP-05-112-22•	MP-05-122-22•	MP-05-212-22•	MP-05-312-22•
Brass	Brass	MP-05-112-44•	MP-05-122-44•	MP-05-212-44•	MP-05-312-44•
Chrome	Brass	MP-05-112-14	MP-05-122-14	MP-05-212-14	MP-05-312-14
Brass	Chrome	MP-05-112-41	MP-05-122-41	MP-05-212-41	MP-05-312-41
Satin	Chrome	MP-05-112-21	MP-05-122-21	MP-05-212-21	MP-05-312-21
Chrome	Satin	MP-05-112-12	MP-05-122-12	MP-05-212-12	MP-05-312-12

• Products identified with this symbol are stocked subject to prior sale in one or more of our global locations. If unavailable from our facility nearest you, allow for shipping time from another facility.

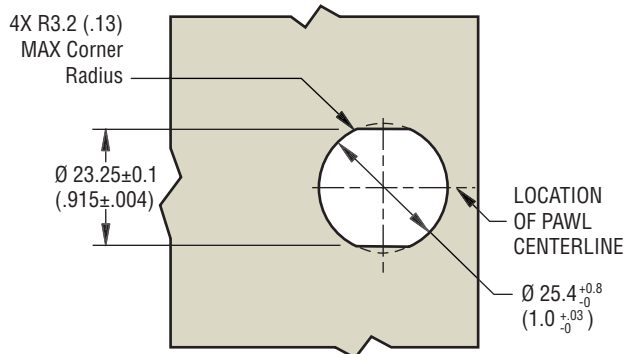
Operation



For additional specifying and ordering information, downloadable CAD files, and 3-D solid models visit: www.southco.com or e-mail: info@southco.com

southco®
CONNECT · CREATE · INNOVATE

Panel Preparation

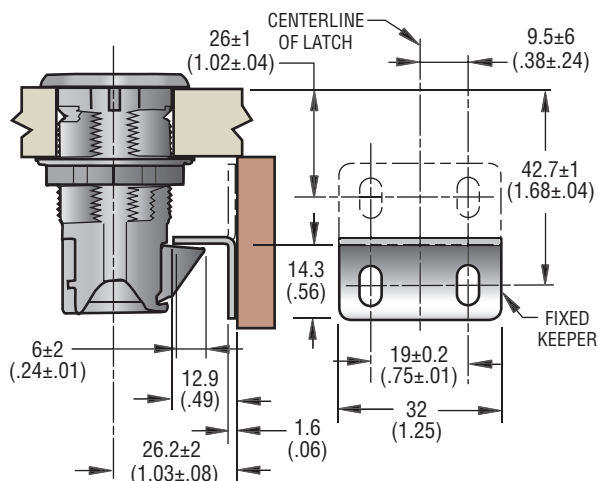


Keepers Order separately

Fixed Keeper

M1-519-4•

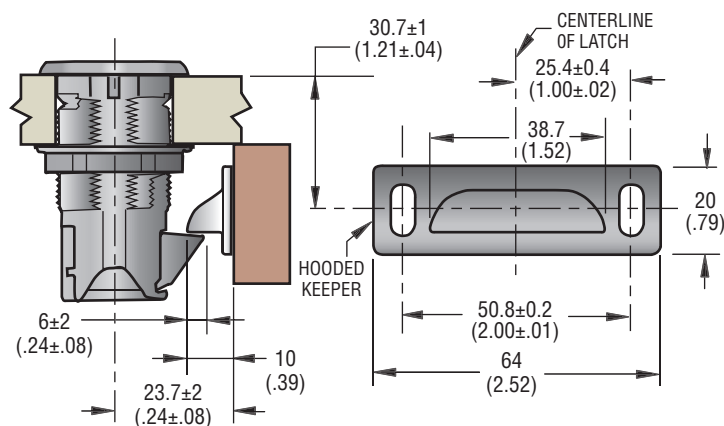
Use M5 or #10 screws to mount (not supplied)



Hooded Keeper

MP-510-16-4•

Use M5 or #10 screws to mount (not supplied)



Adjustable Keeper

MP-5113•

Use M3 X 25 or #5 X 1" screws to mount (not supplied)

