

SECURE Sliding Door Latches

DOOR THICKNESS: 12mm (7/16") or 10mm (3/8") with optional spacer. The Secure is designed for both swinging and sliding doors. It can be used on acrylic or wood doors, bi-fold doors, hatches, and companionway drop-in boards. The Secure is easy to install, since no fasteners are required—simply snap the Secure over the door edge.

- Offered in all corrosion-resistant materials, including Polyamide, Stainless Steel, and Brass
- Outside keylocking with interior sliding privacy lock
- Supplied with striker and two keys

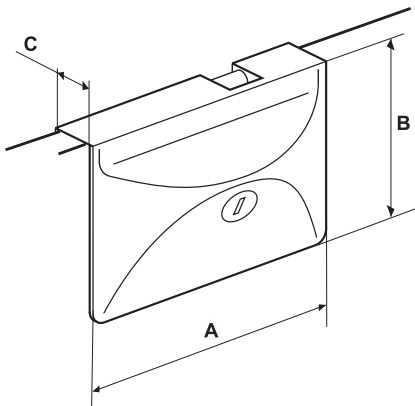
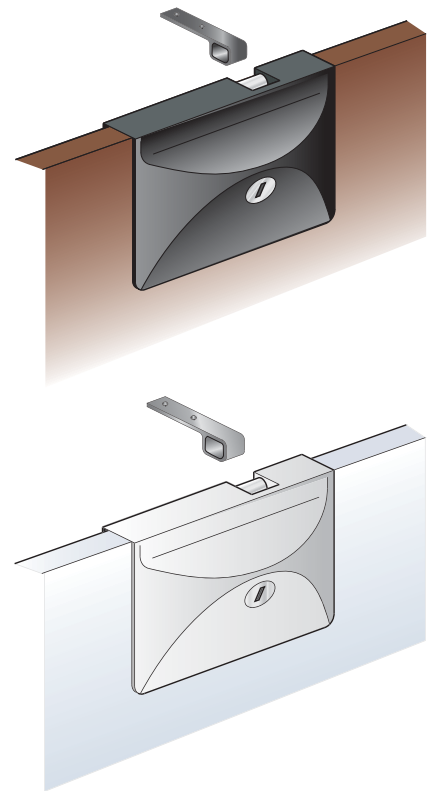
Available Options:

Spacer: Optional spacer available to accept a 10mm (3/8") door thickness.

Finish: White or black polyamide case available.

Numerous strikers available in Clear or Black Anodized Aluminum or Stainless Steel.

Locking: Optional black day key available.



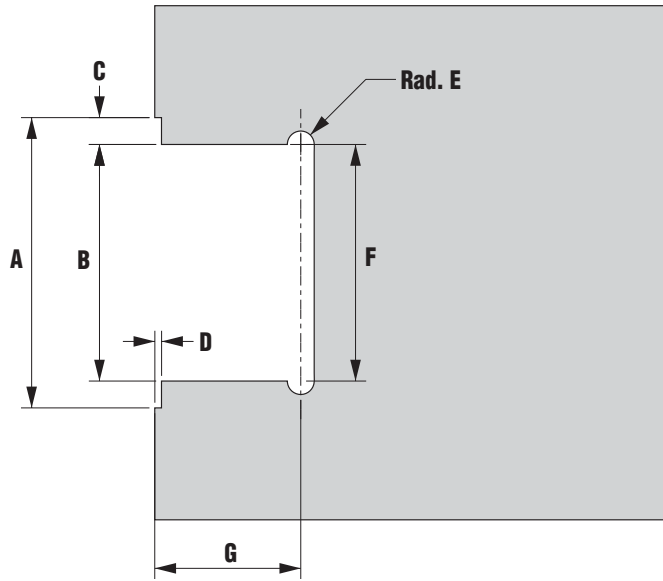
	Imperial		Metric
	Nominal	Decimal	
A	3 27/64	3.43	87
B	2 11/64	2.17	55
C	15/32	.47	12

SECURE PART NUMBERS		
	Black	White
With P-striker and two keys	MG-01-110-50	MG-01-110-70

OPTIONS

Day key, black		MF-96-XXX-41
Striker, anodized aluminium		MG-90-102-60
Striker, anodized black		MG-90-102-50
Eyelet striker, stainless steel		MG-90-103-24
Eyelet striker, offcenter, stainless steel		MG-90-104-24
Spacer for 10mm (3/8") door thickness		MG-92-100-50

Panel Preparations



	Imperial		Metric
	Nominal	Decimal	
A	3 13/32	3.406	86.5
B	2 25/32	2.776	70.5
C	5/16	.315	8
D	5/64	.079	2
E	5/32	.156	4
F	2 27/32	2.835	72
G	1 23/32	1.713	43.5

Installation

