

# OMNI Swing Door Lock

**DOOR THICKNESS RANGE: 12.7–19mm (1/2"–3/4")**

The versatile Omni combines high functionality, attractive styling, and quick installation to suit a variety of application requirements. Available in three versions; each version is constructed of all marine-grade materials, such as stainless steel and ABS plastics, and offers:

- Lock provides flush outer surface
- Nylon bumpers reduce vibration and prevent door rattle
- Privacy button option
- Optional doorkeeper holds door in open position

## Omni Spring Bolt

- Adjustable spring bolt mechanism accommodates frame variation

## Omni Flat

- Concealed spring bolt eliminates snag points
- Double swing action provides solution for multi-position doors

## Omni 2-step

- A flat, round, sliding deadbolt in a modern, Omni design



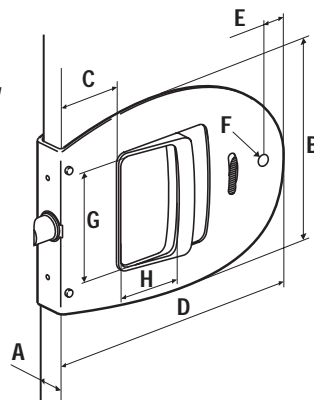
Omni 2-step



Omni Flat



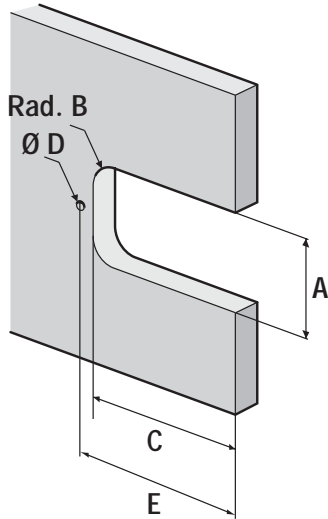
Omni Spring bolt



	Imperial		Metric
	Nominal	Decimal	
A	Panel Thickness		
B	3 7/32	3.21	81.5
C	1 9/64	1.14	29
D	4 9/16	4.57	116
E	3/8	.374	9.5
F	15/64	.236	6
G	1 13/16	1.81	46
H	1 1/32	1.02	26

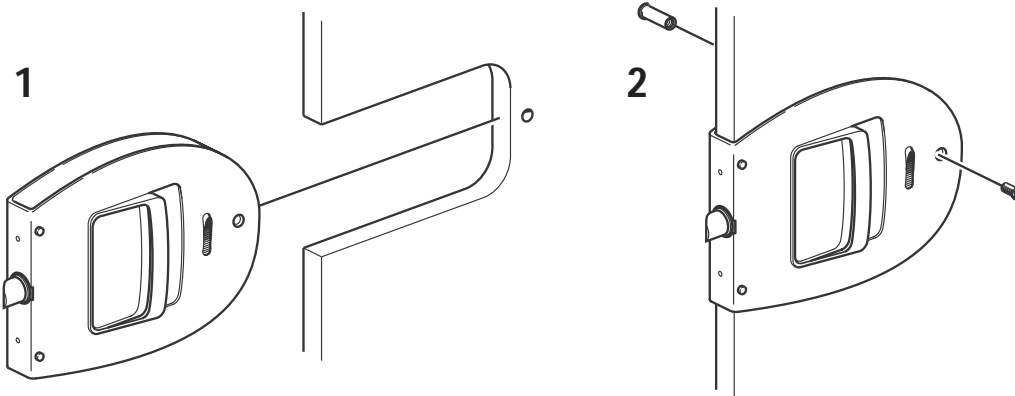
OMNI PART NUMBERS						
	Spring bolt		Flat		2 step	
Door thickness	Privacy	No privacy	Privacy	No privacy	Privacy	No privacy
12.7 mm (1/2)	MR-01-120-24	MR-01-100-24	MR-02-120-24	MR-02-100-24	MR-03-120-24	MR-03-100-24
16 mm (5/8)	MR-01-121-24	MR-01-101-24	MR-02-121-24	MR-02-101-24	MR-03-121-24	MR-03-101-24
19 mm (3/4)	MR-01-122-24	MR-01-102-24	MR-02-122-24	MR-02-102-24	MR-03-122-24	MR-03-102-24
<b>Features</b>						
Privacy	X	-	X	-	X	-
Adjust Spring Bolt	X	X	-	-	X	X
Bumpers (both sides)	X	X	X	X	X	X
Left and Right swing	X	X	X	X	X	X

## Panel Preparation



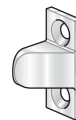
	Imperial		Metric	
	Nominal	Decimal		
A	min.	2 3/16	2.187	55.6
	max.	2 1/4	2.27	57.9
B	min.	1/4	.25	6.4
	max.	9/16	.56	14
C	min.	3 13/16	3.813	96.8
	max.	3 7/8	3.875	98.4
D		1/4	.25	6.4

## Installation



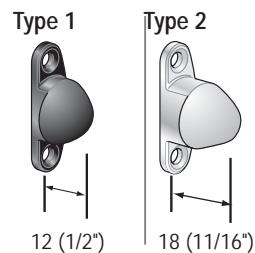
## Options

STRIKER PART NUMBER	
OMNI flat	MR-90-100-10

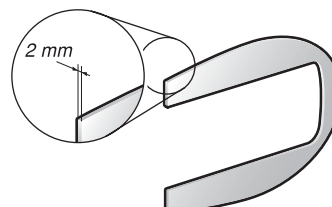


For Strikers  
see page 54

DOORKEEPER PART NUMBERS		
Type	White	Black
1	MR-91-101-70	MR-91-101-50
2	MR-91-102-70	MR-91-102-50



SPACER PART NUMBER	
OMNI (2mm thick)	MR-92-100-60



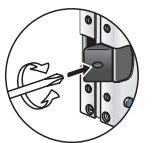
### Privacy



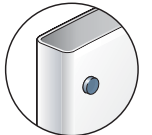
### Adjustable spring/dead bolt (Omni)



### Adjustable spring bolt (Omni Bob)



### Bumpers on both sides



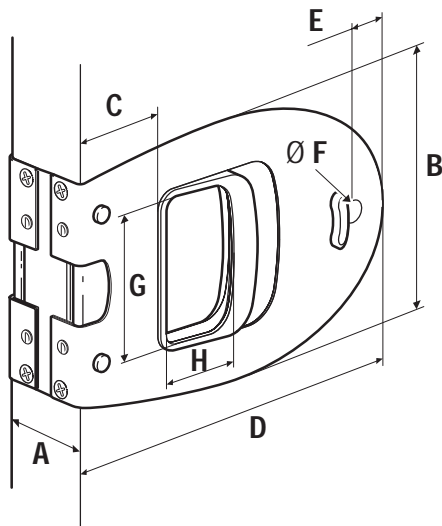
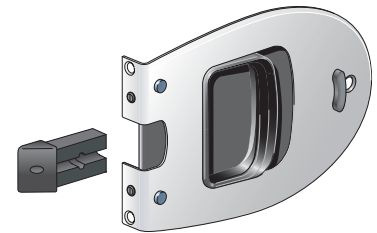
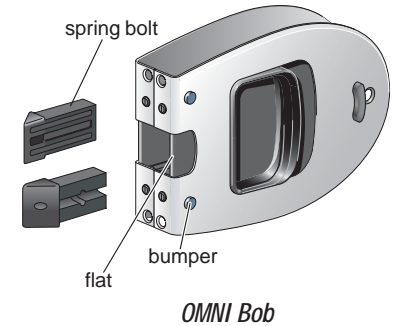
# OMNI Bob Swing Door Lock

**DOOR THICKNESS RANGE: 25 – 51mm (1" – 2")**

The Omni Bob is designed for thicker doors and can be used flat or with spring bolt. There is no protruding springbolt, allowing it to be installed flush to the edge of the door. The unique design latches when it comes in contact with the mating striker.

It also offers:

- Easily-adjustable springbolts for left- or right-swing are included for fast conversion
- Single-side version available
- Nylon bumpers reduce vibration and prevent door rattle
- Optional doorkeeper holds door in open position



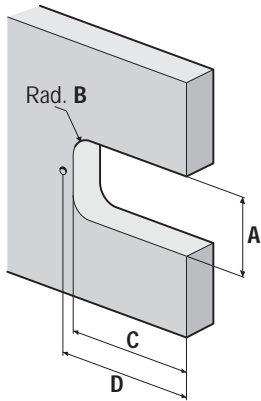
	Imperial		Metric
	Nominal	Decimal	
A	Panel Thickness		
B	3 15/16	3.898	99
C	1 3/8	1.378	35
D	5 5/16	5.315	135
E	15/64	.236	6
F	15/64	.236	6
G	2 5/32	2.165	55
H	1 3/16	1.181	30

OMNI Bob PART NUMBERS	
Door thickness range	
25 - 31 mm (1 - 1-1/4")	MR-04-106-24
30 - 36 mm (1-3/16 - 1-7/16")	MR-04-107-24
35 - 41 mm (1-3/8 - 1-5/8")	MR-04-108-24
40 - 46 mm (1-9/16 - 1-13/16")	MR-04-109-24
45 - 51 mm (1-3/4 - 2")	MR-04-1010-24

OMNI Bob Single PART NUMBERS		
Min. Door Thickness	Door Swing	
25 mm - (1")	right out/left in	MR-05-603-24
25 mm - (1")	left out/right in	MR-05-703-24

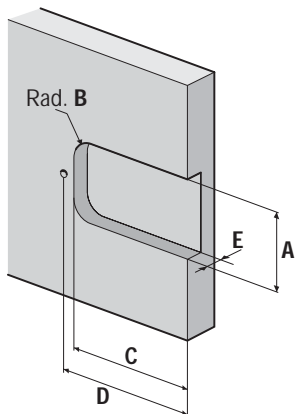
## Panel Preparations

### Omni Bob



	Imperial		Metric
	Nominal	Decimal	
A	2 11/16	2.667	68
B	5/16	.315	8
C	4 11/16	4.685	119
D	5 3/64	5.039	128

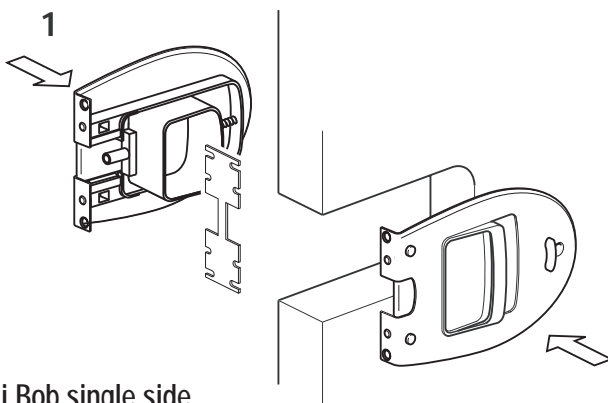
### Omni Bob single side



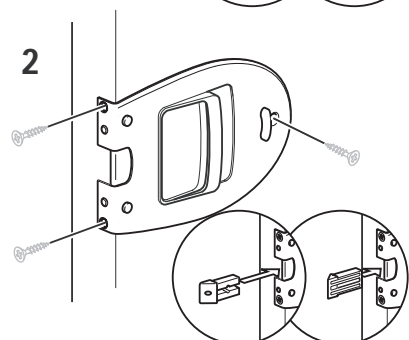
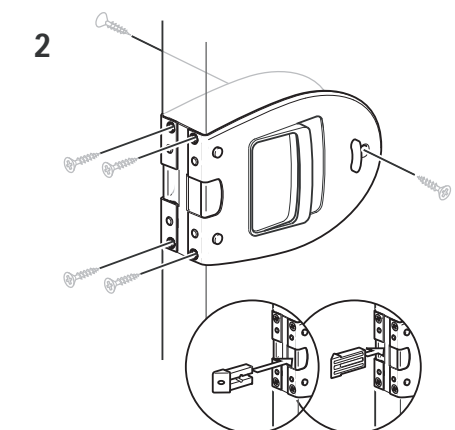
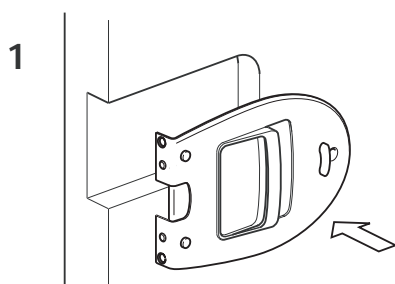
	Imperial		Metric
	Nominal	Decimal	
A	2 11/16	2.667	68
B	5/16	.315	8
C	4 11/16	4.685	119
D	5 3/64	5.039	128
E	25/32	.787	20

## Installation

### Omni Bob



### Omni Bob single side



# OMNI Pocket Sliding Door Locks

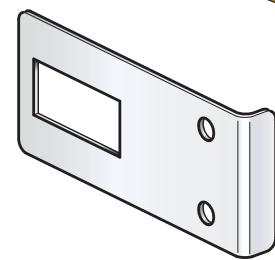
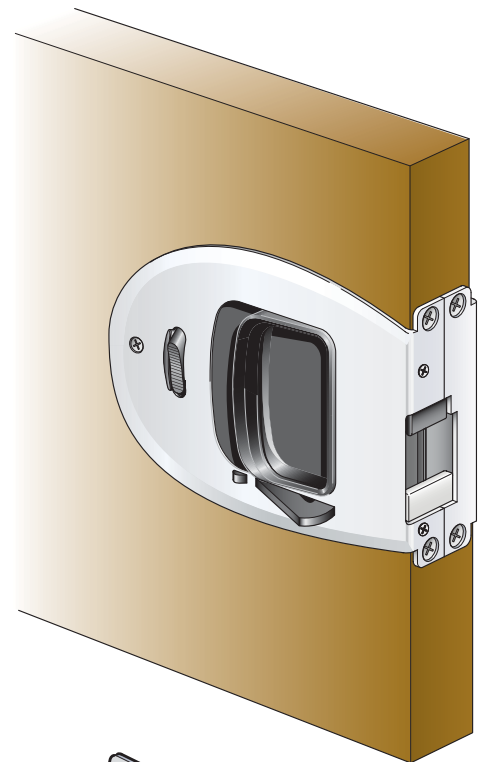
**DOOR THICKNESS:** 32mm (1-1/4") or 35mm (1-3/8")  
 With only 3mm (1/8") protrusion, the Omni Pocket sliding-door lock is ideal for interior pocket doors and double-doors. It features an automatic latching mechanism, as well as a door-hold open feature. A hook on the forend side releases the door.

Other features include:

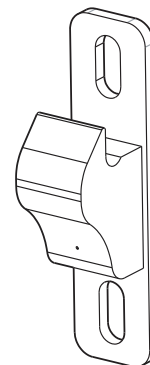
- Interior privacy button with exterior override
- Made of durable, corrosion-resistant stainless steel, ABS plastic, and aluminium
- Each assembly includes one striker and one door holder
- Can be installed in the inside or outside of door, with left- or right-hand operation
- Fast installation with a simple door cut-out

Available Options:

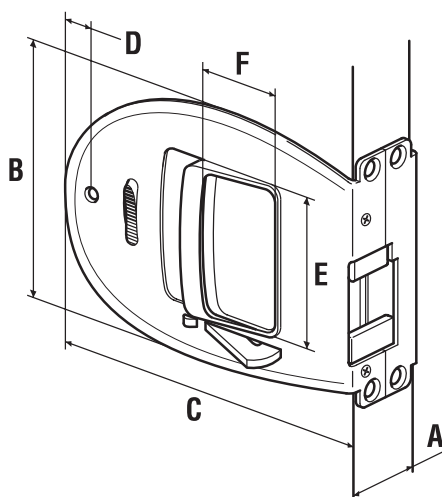
Door Thickness: Options available for doors down to 22.2mm (7/8").  
 Contact Southco for details.



Door holder for Omni Pocket



Striker for Omni Pocket



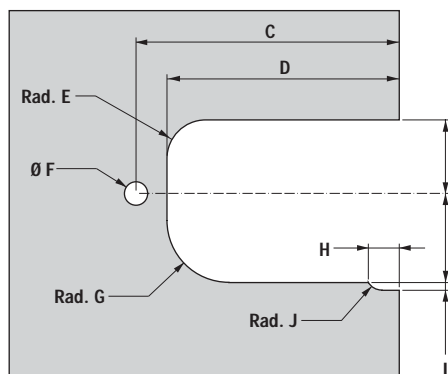
	Imperial		Metric
	Nominal	Decimal	
A	Panel thickness		
B	3 21/32	3.661	92.5
C	4 11/16	4.685	119
D	3/8	0.375	9.5
E	2 5/32	2.157	55
F	63/64	0.984	25

OMNI POCKET PART NUMBERS		
Panel Thickness	32mm (1 1/4")	MR-06-124-24
	35mm (1 3/8")	MR-06-125-24

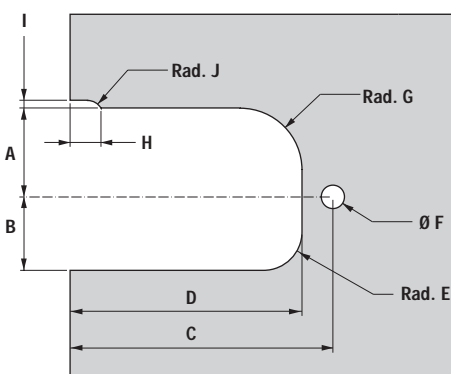
# OMNI Pocket Sliding Door Locks

## Panel Preparation

Left inside door Panel Preparation

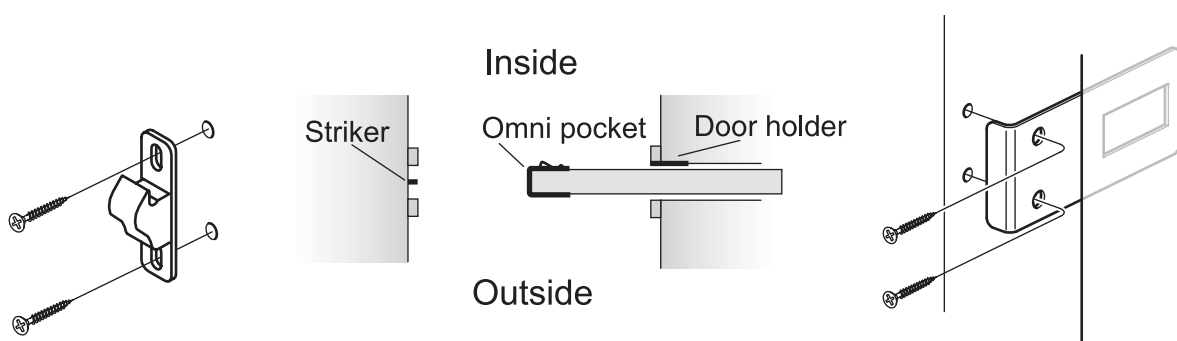
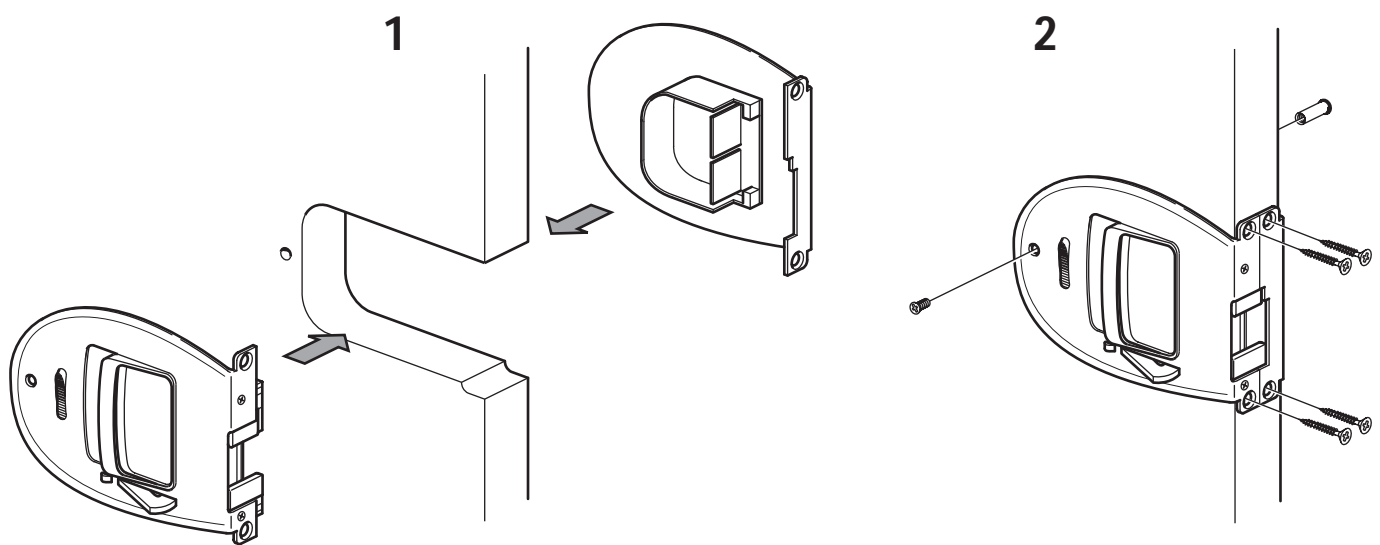


Right inside door Panel Preparation

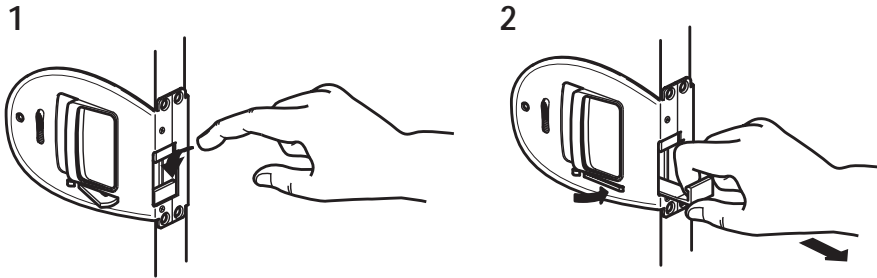


	Imperial		Metric
	Nominal	Decimal	
A	1 7/16	1.438	36.5
B	1 3/16	1.181	30
C	4 1/4	4.25	108
D	3 3/4	3.75	95.5
E	23/32	.71	18
F	3/8	.375	9.5
G	1	1	25.4
H	1/2	.51	13
I	1/8	.13	3.5
J	1/4	.24	6

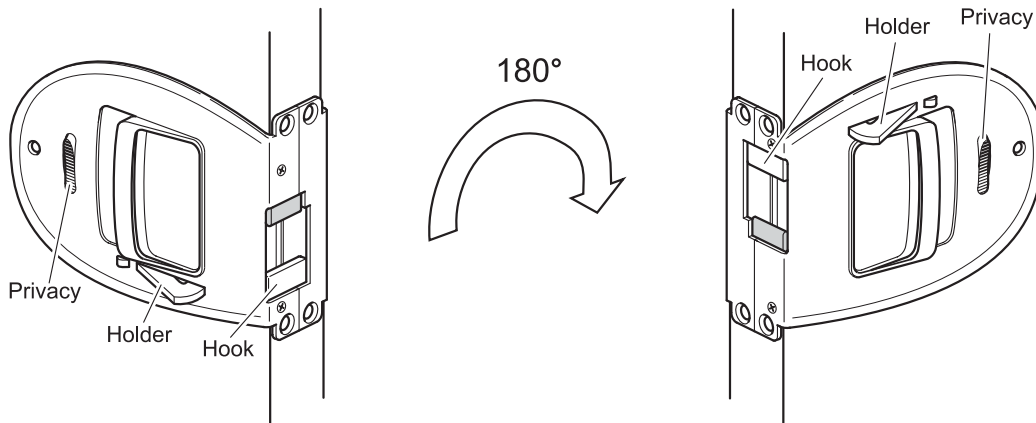
## Installation



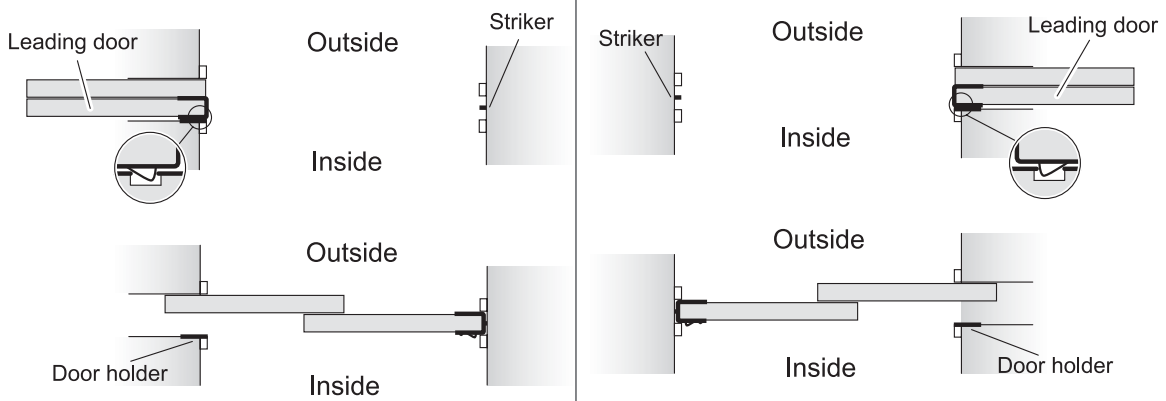
# Applications



Privacy always on inside - as well as holder



Double doors



Single doors

